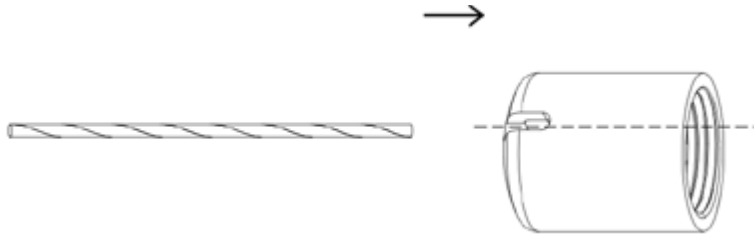


HUSHTONE™ ZEPPELIN™ CLOUD

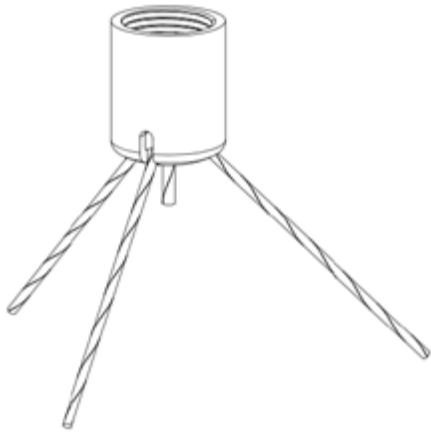
PET | POLYESTER ACOUSTICAL PRODUCTS

ZEPPELIN™ Cloud Installation Overview

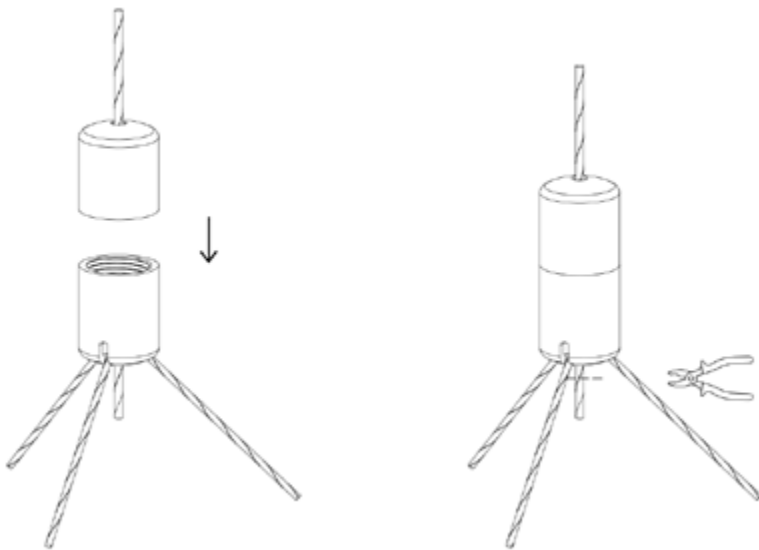
1. Insert cables to the bottom exit.



2. For the ZEPPELIN CLOUD Circle use (3) included cables with ball ends to attach on the bottom exit; use (4) for the ZEPPELIN CLOUD Square (not shown).



3. Screw it back to the sputnik head and cut excess wire.

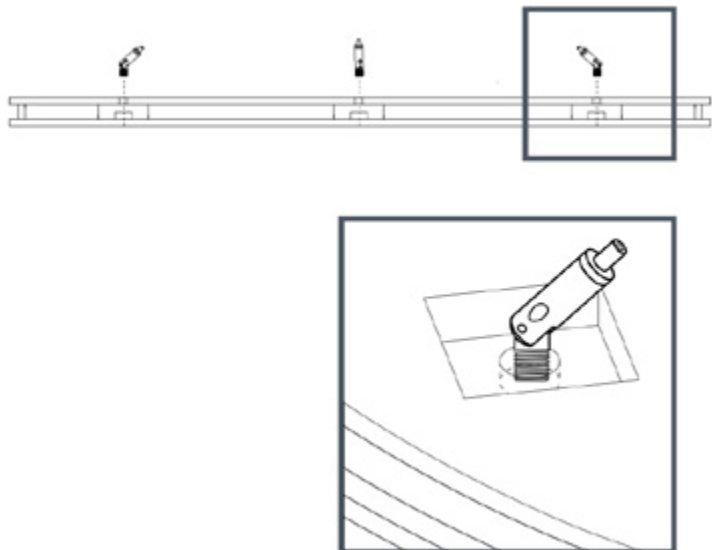


HUSHTONE™ ZEPPELIN™ CLOUD

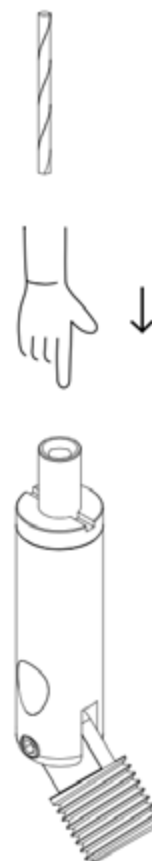
PET | POLYESTER ACOUSTICAL PRODUCTS

ZEPPELIN™ Cloud Installation Overview

4. Locate the threaded hole to mount the jointed gripper.



5. Press and hold the spring portion to insert the cable.

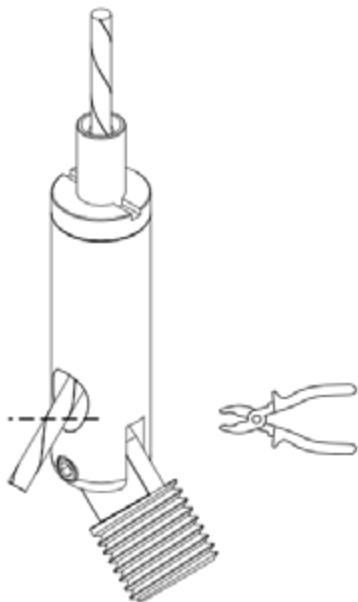


HUSHTONE™ ZEPPELIN™ CLOUD

PET | POLYESTER ACOUSTICAL PRODUCTS

ZEPPELIN™ Cloud Installation Overview

6. After insert cut out the excess cable.



7. Finished assembly. Cloud can be hung at different lengths.

