

HUSHTONE™ HUSH BEAM™ BAFFLE

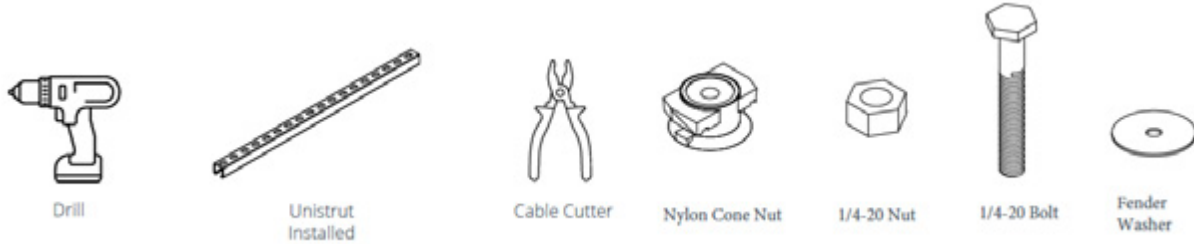
PET | POLYESTER ACOUSTICAL PRODUCTS

HUSH BEAM™ BAFFLE Unistrut Installation Overview

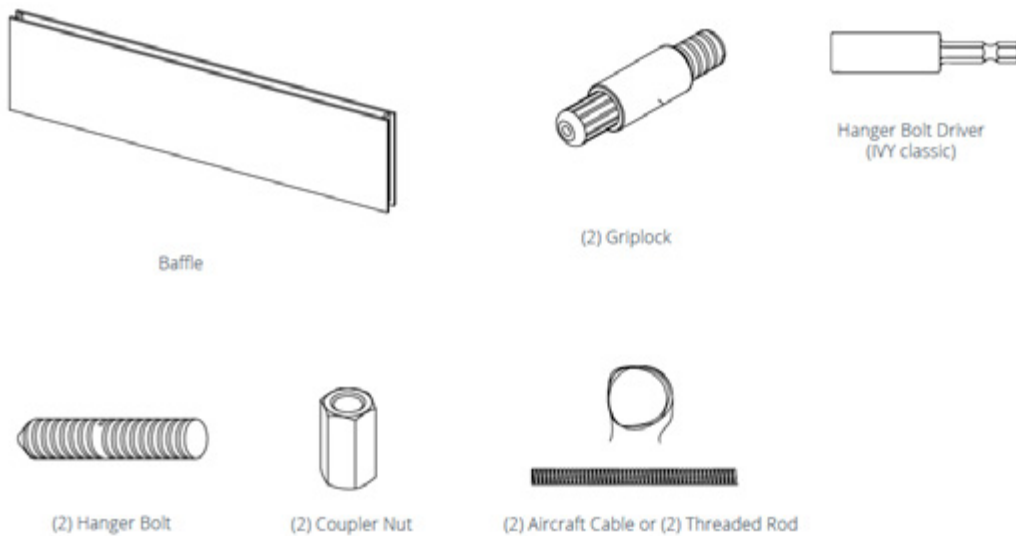
These installation suggestions consist of a common process for tile installation. Installers should rely upon their own professional experience and understanding of their unique requirements to ensure a successful install.

Confirm your Unistrut installation has been completed. Consult with a professional about a proper Unistrut installation for your ceiling type (concrete vs. sheet-rock).

Tools Needed



Items Included



1. Unwrap Baffle from plastic Wrap. Confirm baffle dimensions match your needs.



LAMVIN

ACOUSTICAL PRODUCTS MANUFACTURER

WWW.LAMVIN.COM | 800.446.6329

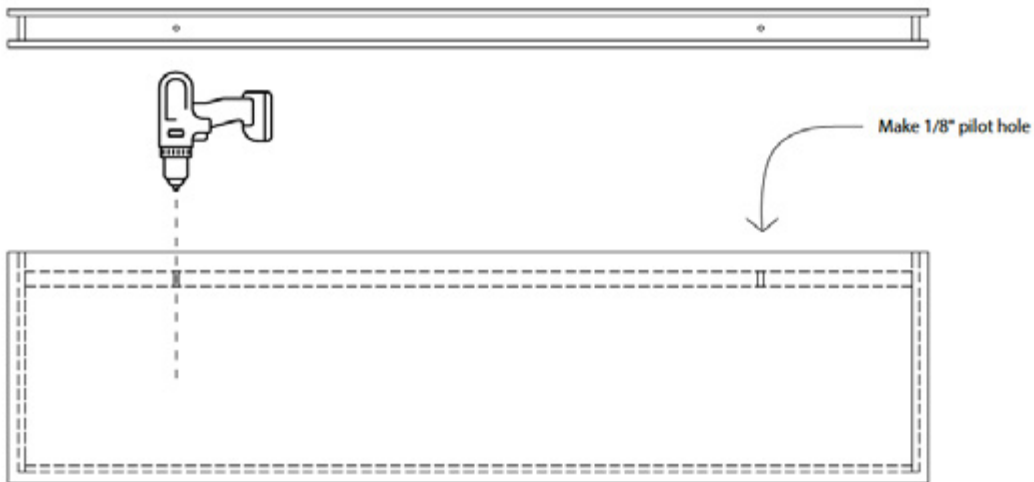
HUSHTONE™ HUSH BEAM™ BAFFLE

PET | POLYESTER ACOUSTICAL PRODUCTS

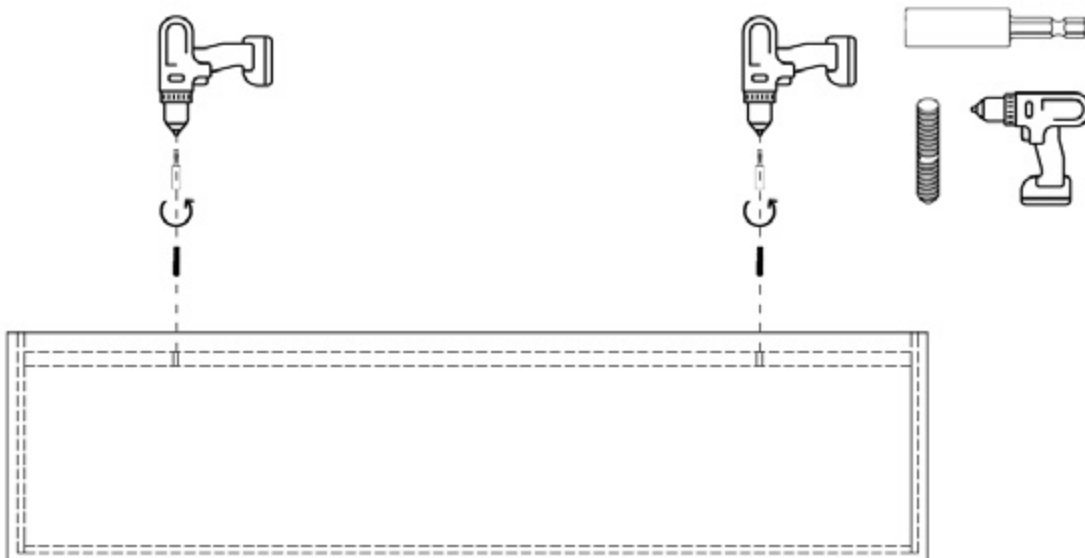
HUSH BEAM™ BAFFLE Unistrut Installation Overview

If your baffle is pre-drilled with hanger bolts inserted, go to step 4.

2. If your baffles came without pre-drilled hanger bolts, follow this step: Measure the distance between the two Unistruts that will be holding the baffle. Match your hole location distance to the distance of the Unistruts. Use a drill machine to make a 1/8" pilot hole for hanger bolts.



3. Use 1/4" - 20 hanger bolt driver tool to drive bolt into place, leaving 3/2" of the 1/4" - 20 threads exposed.

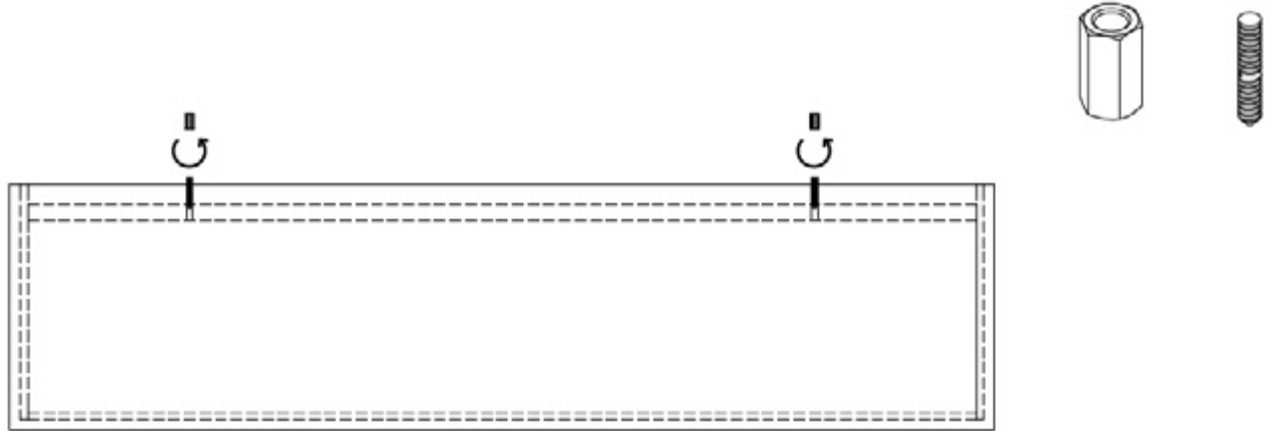


HUSHTONE™ HUSH BEAM™ BAFFLE

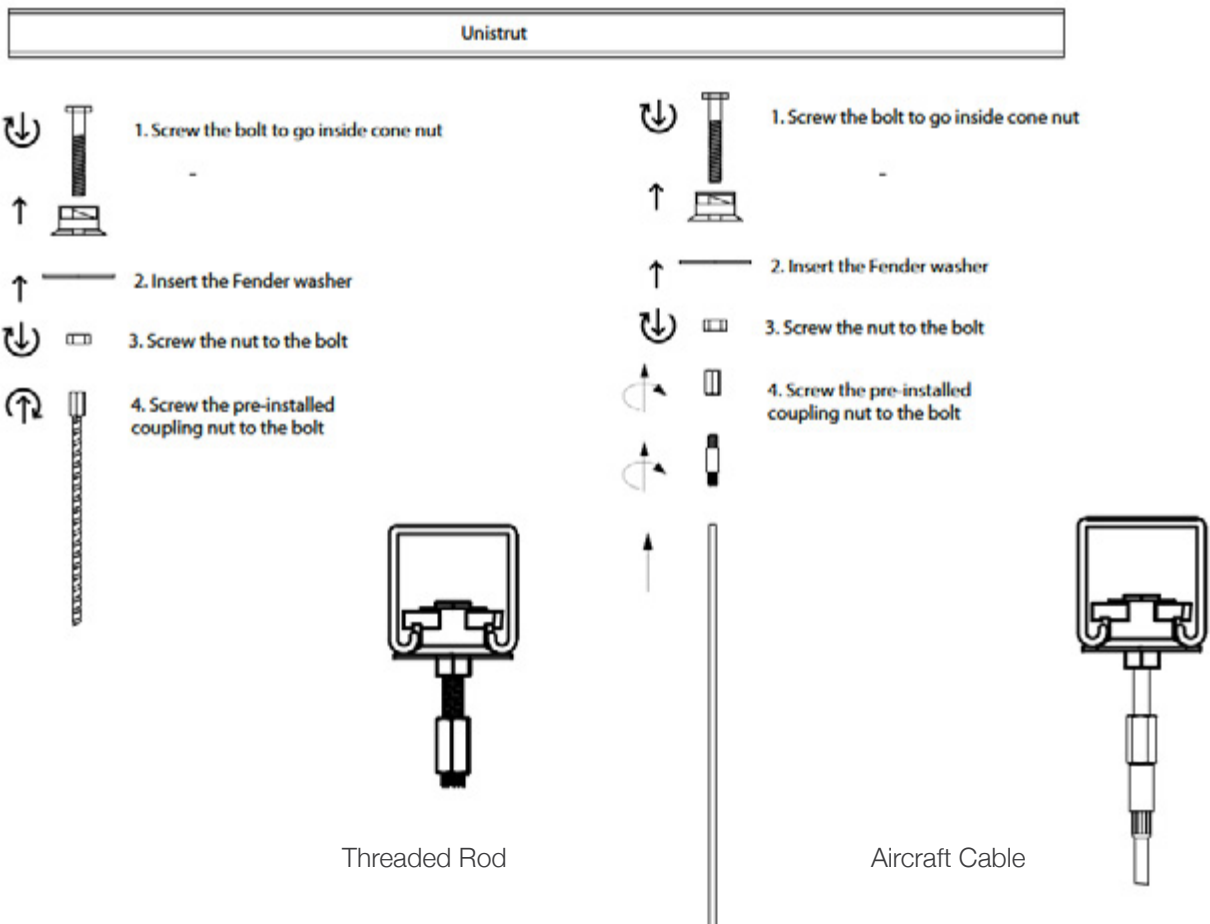
PET | POLYESTER ACOUSTICAL PRODUCTS

HUSH BEAM™ BAFFLE Unistrut Installation Overview

4. Screw the coupling nut all the way on to the hanger bolt.



5. Install Threaded Rod or Aircraft Cable from Unistrut

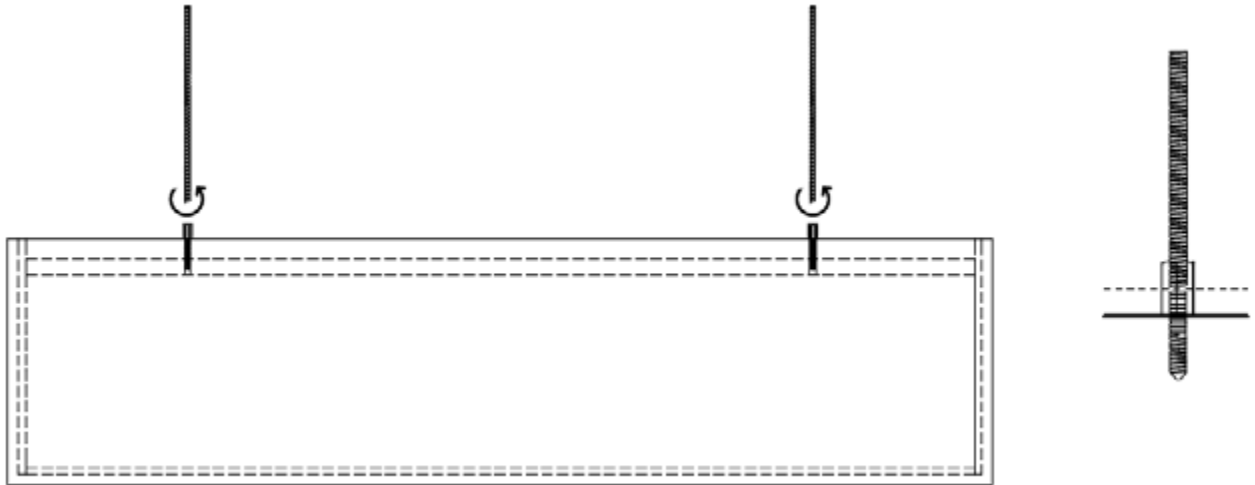


HUSHTONE™ HUSH BEAM™ BAFFLE

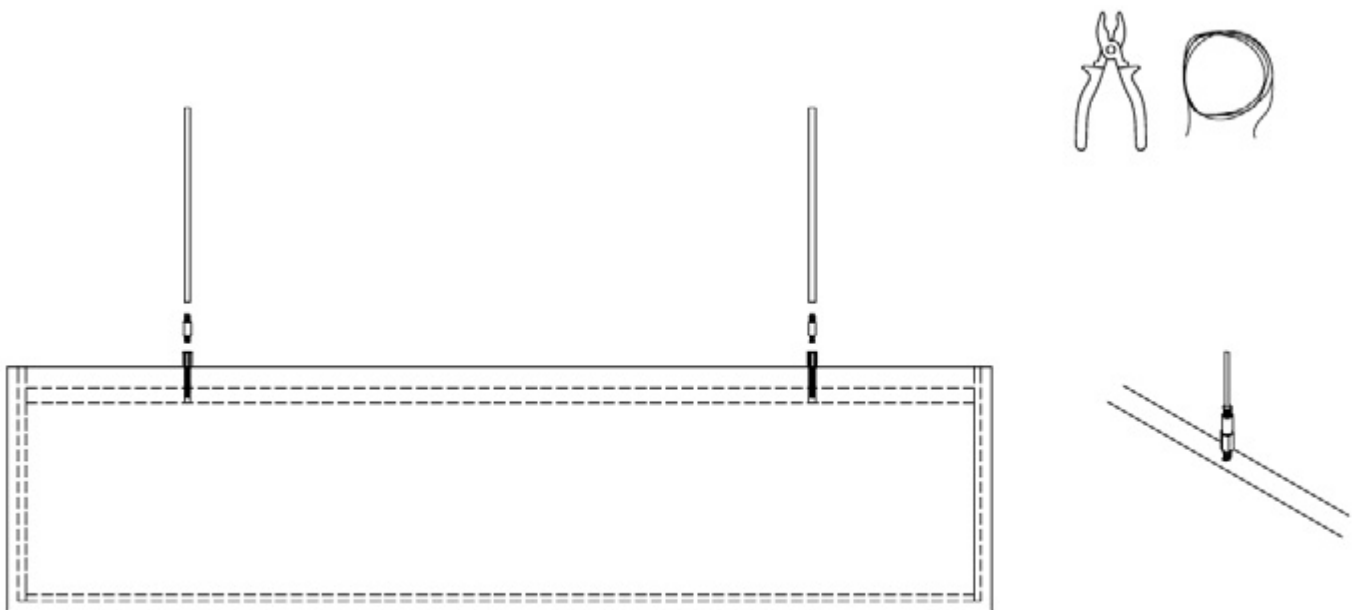
PET | POLYESTER ACOUSTICAL PRODUCTS

HUSH BEAM™ BAFFLE Unistrut Installation Overview

6a. **Threaded Rod** Specific Step ONLY Cut 1/4" threaded rod at desired length and screw in half way into the coupler nut.



6b. **Aircraft Cable** Specific Step ONLY. Cut the excess cable using cable cutter.

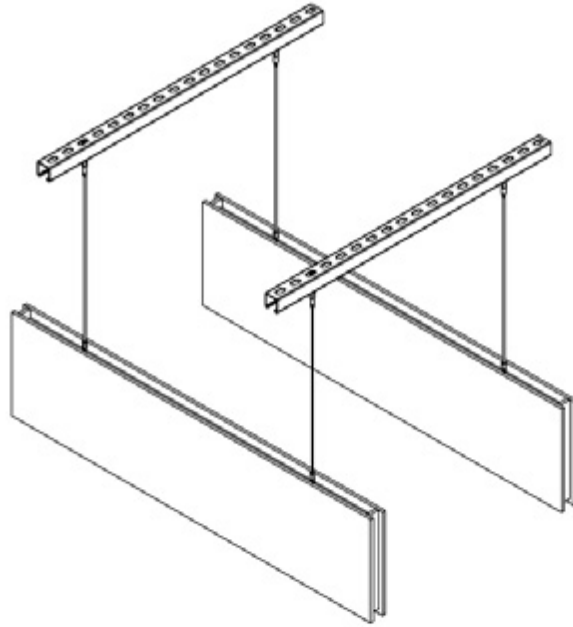


HUSHTONE™ HUSH BEAM™ BAFFLE

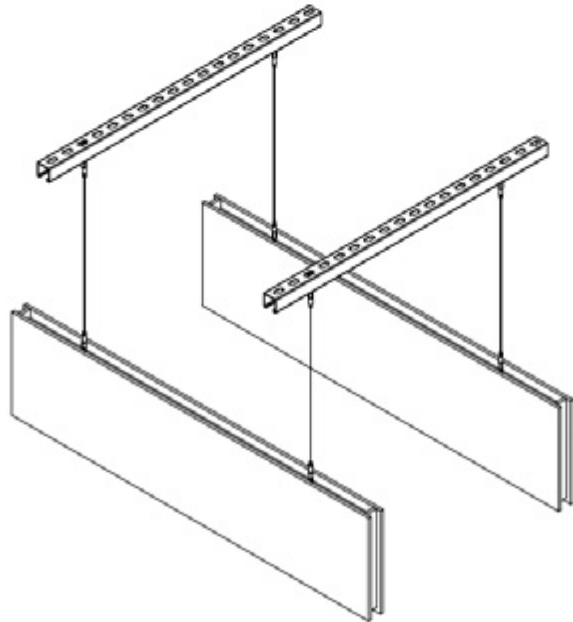
PET | POLYESTER ACOUSTICAL PRODUCTS

HUSH BEAM™ BAFFLE Unistrut Installation Overview

7. Final view



Threaded Rod



Aircraft Cable