

# HUSHTONE™ HUSH BEAM™ BAFFLE

## PET | POLYESTER ACOUSTICAL PRODUCTS

### HUSH BEAM™ BAFFLE Drywall/Concrete Installation Overview

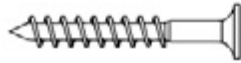
These installation suggestions consist of a common process for baffle installation. Installers should rely upon their own professional experience and understanding of their unique requirements to ensure a successful install.

---

#### Tools Needed



Drill



Screws



Cable Cutter

---

#### Items Included



Baffle



(2) Aircraft Cable with Cone

---

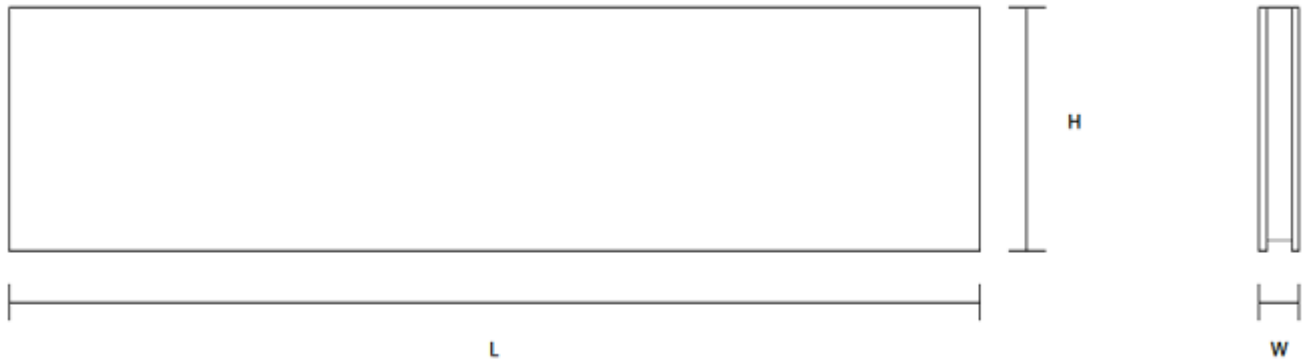
Disclaimer: Concrete Anchor Bolt not included.

# HUSHTONE™ HUSH BEAM™ BAFFLE

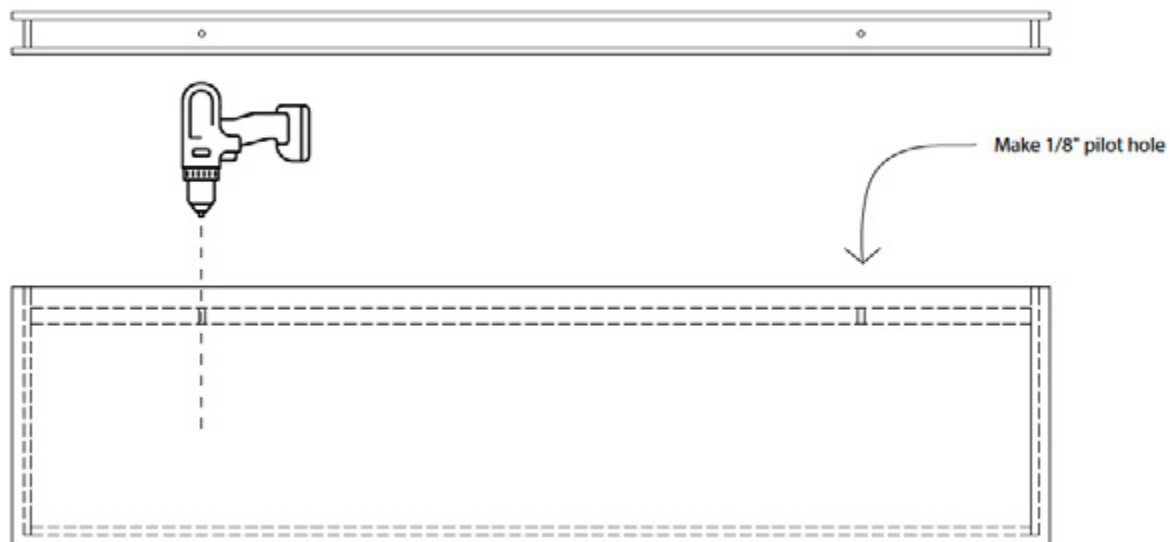
## PET | POLYESTER ACOUSTICAL PRODUCTS

### HUSH BEAM™ BAFFLE Drywall/Concrete Installation Overview

1. Unwrap baffle from plastic wrap. Confirm baffle dimensions match your needs.



2. Measure the distance between the two points on ceiling that will be holding the baffle. Match your hole location distance on the wood and mark it. Use a drill machine to make a 1/8" pilot hole for screws.

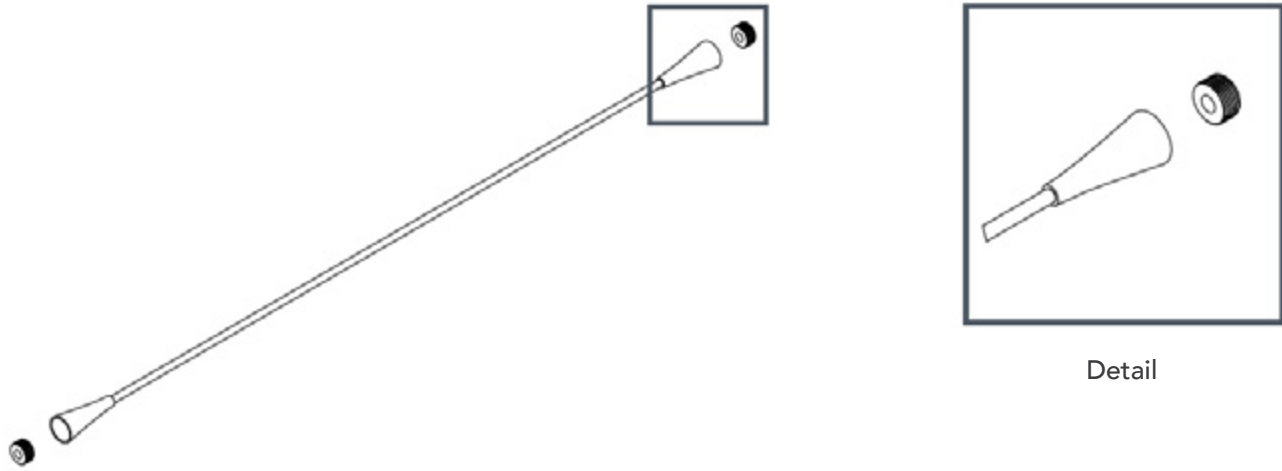


# HUSHTONE™ HUSH BEAM™ BAFFLE

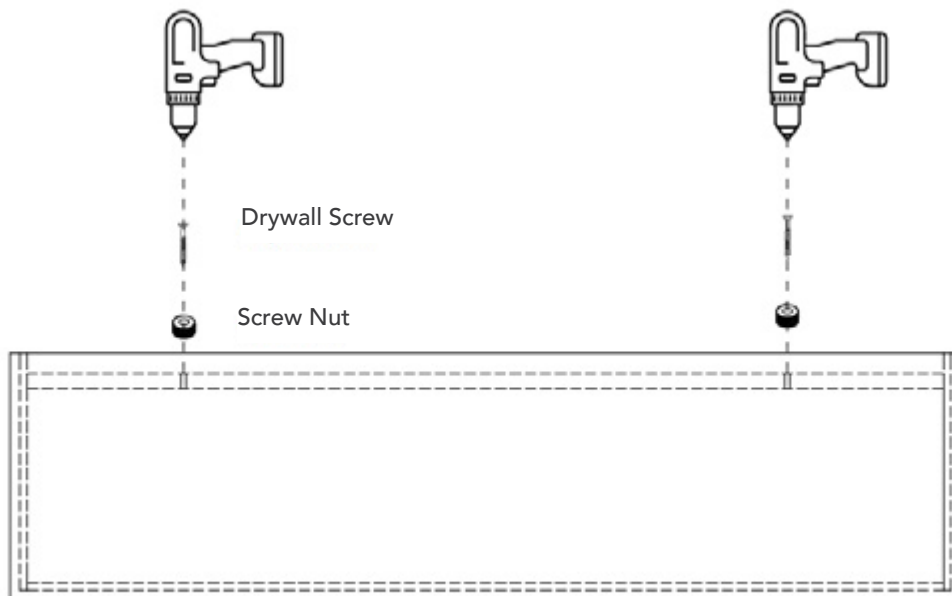
## PET | POLYESTER ACOUSTICAL PRODUCTS

### HUSH BEAM™ BAFFLE Drywall/Concrete Installation Overview

3. Take out the screw nut from both side of the aircraft cable cone.



4. Place the screw nut on the pilot hole and use the driver to drive the drywall screw through the screw nut on the wood.

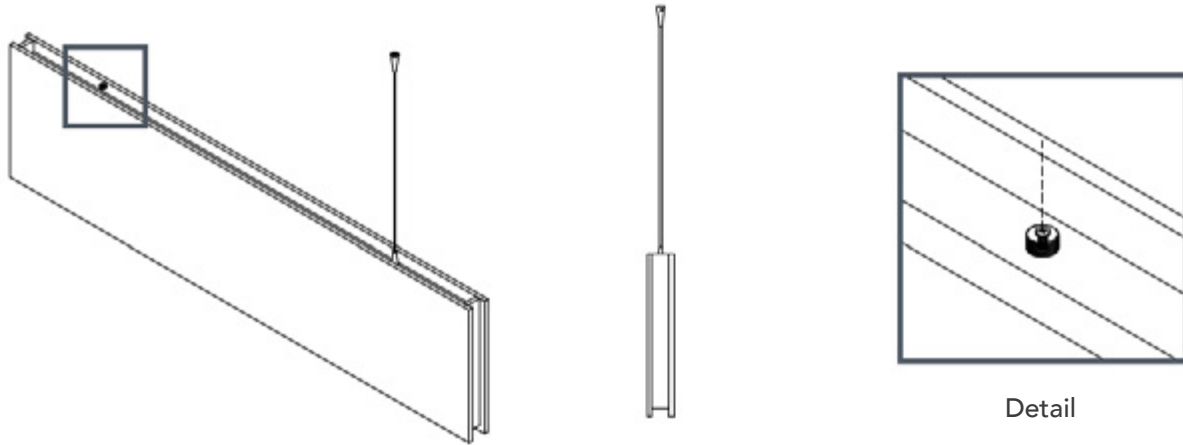


# HUSHTONE™ HUSH BEAM™ BAFFLE

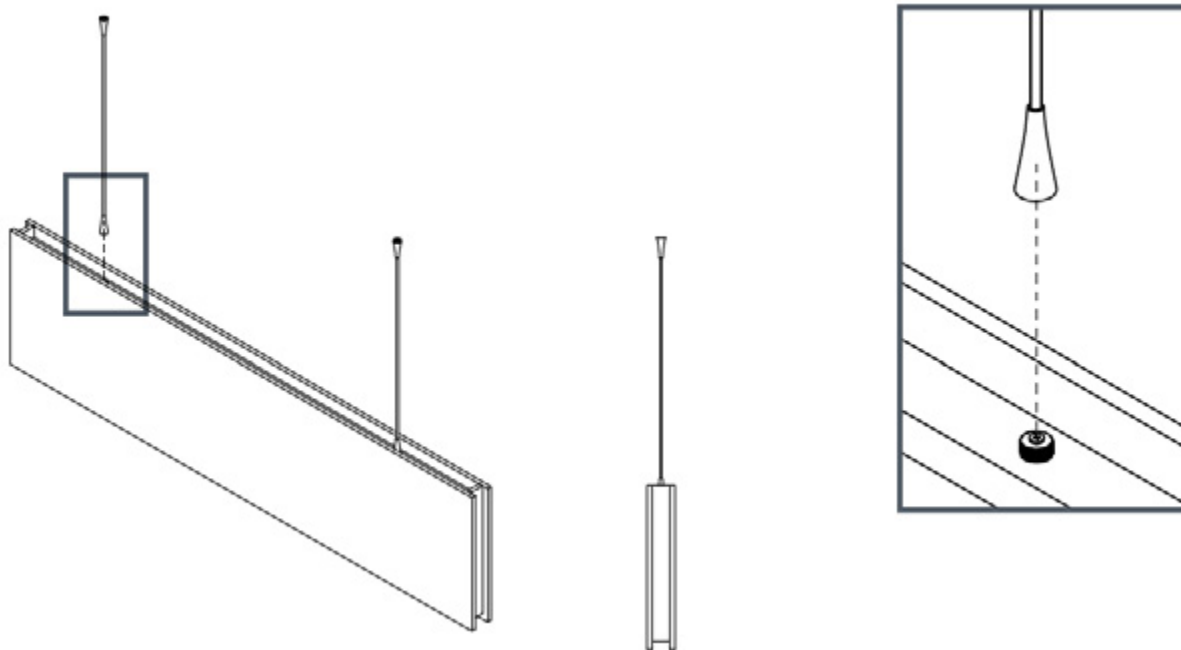
## PET | POLYESTER ACOUSTICAL PRODUCTS

### HUSH BEAM™ BAFFLE Drywall/Concrete Installation Overview

5. Drive the screw all the way so that it will flush with the screw nut.



6. Screw the cone to the screw nut.



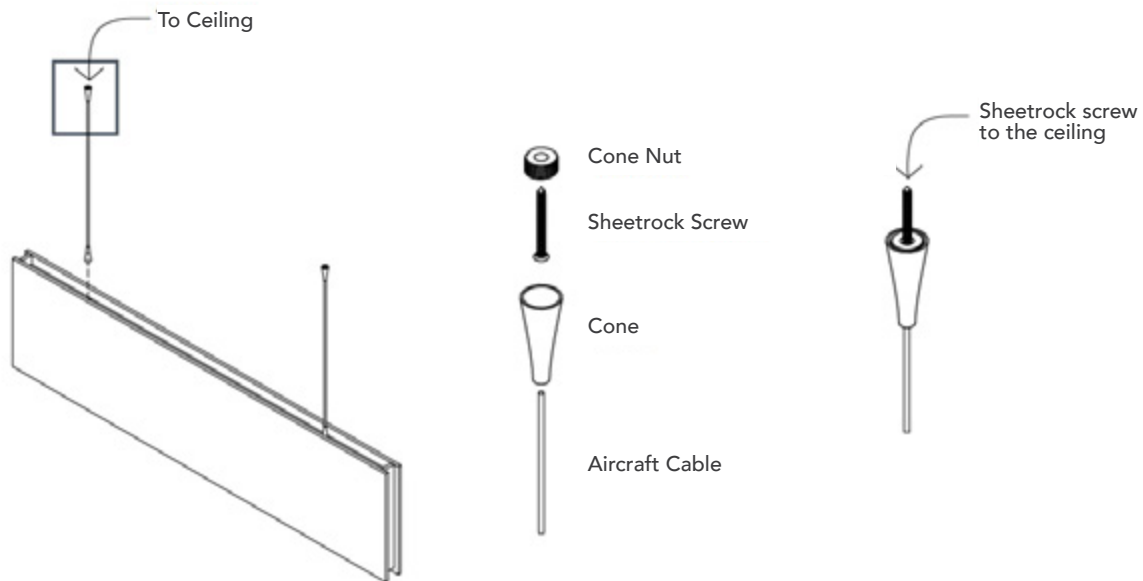
# HUSHTONE™ HUSH BEAM™ BAFFLE

## PET | POLYESTER ACOUSTICAL PRODUCTS

### HUSH BEAM™ BAFFLE Drywall/Concrete Installation Overview

7. Drill and insert anchor bolt or sheet rock screw on the ceiling (need proper guidance from installer or architect before install) Disclaimer: Concrete Anchor Bolt not included.

Follow step 4-6 to attach the other side of the cone to hang the baffle.



8. Finish the installation.

