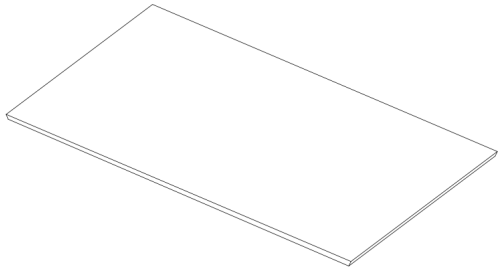


HUSHTONE PANEL®

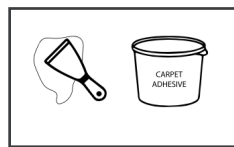
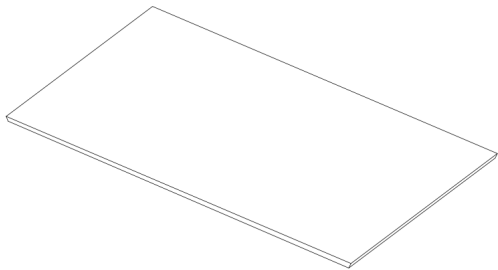
PET | POLYESTER ACOUSTICAL PRODUCTS

Installation Overview

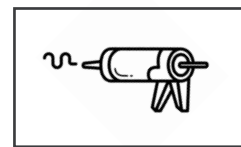
1. Lay the Hushtone Panel on the ground.



2. Use the putty knife to place the carpet adhesive to one Hushtone Panel at a time. Working on one Hushtone Panel at a time, apply a liberal amount of adhesive to the back of the panel utilizing the adhesive manufacturers best practices.

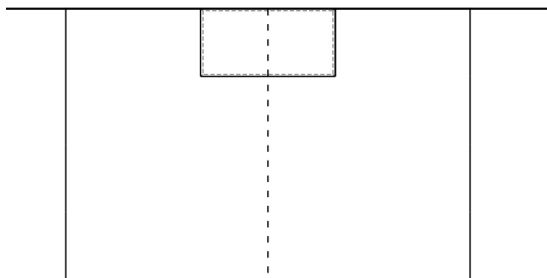


OR



*Robert 3096 Carpet Adhesive or Liquid Nails (heavy duty)

3. Position the Hushtone Panel on the wall. Please note at least a minimal reveal is recommended between panels.

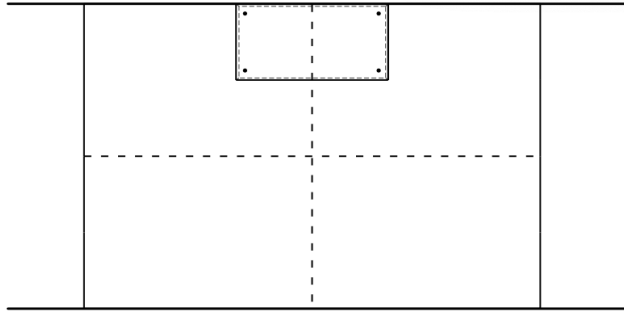
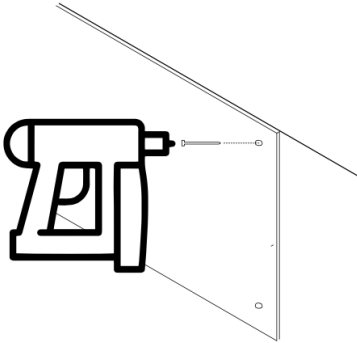


HUSHTONE PANEL®

PET | POLYESTER ACOUSTICAL PRODUCTS

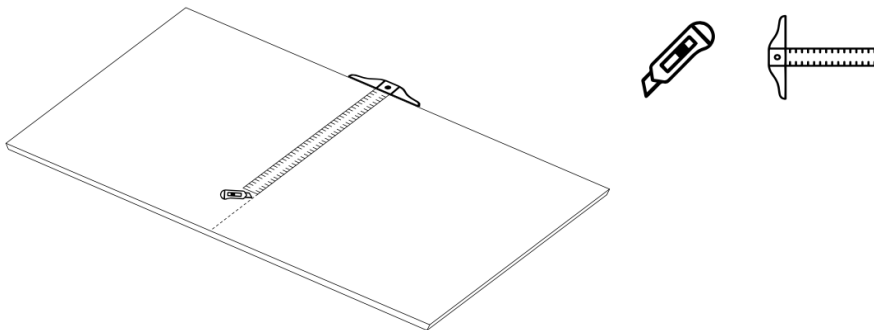
Installation Overview

4. Use nail gun to put finishing nails on the four corners to hold the Hushtone Panel until the adhesive is dry.



5. Use a box cutter and metal ruler to make cuts to fit the wall.

Tip for clean edges: Use smooth continued motion to cut through half the thickness of the material; using the edge of the ruler as your guide. Go over the same line again to complete the cut.



6. Once adhesive has dried, use pliers to remove the fine nails from panels on lower walls. For panels on upper walls and ceilings leave the fine nails in place.

