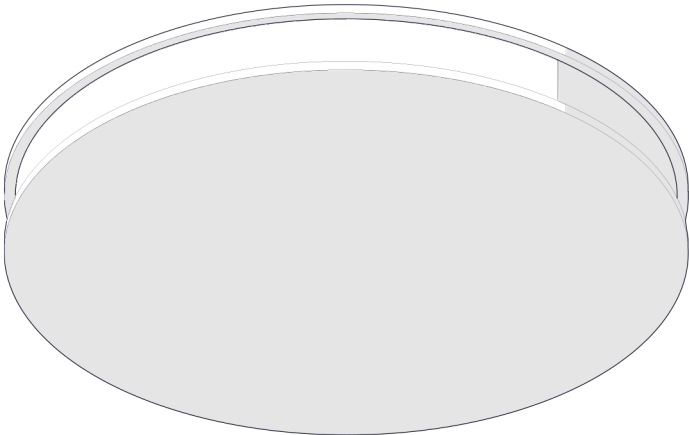
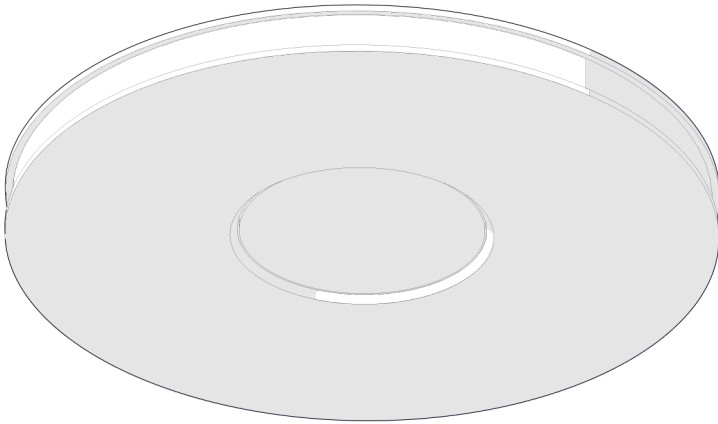


# HUSHTONE™ ZEPPELIN BRIGHT™ CLOUD PET | POLYESTER ACOUSTICAL PRODUCTS

## ZEPPELIN BRIGHT Cloud Installation Overview



ZEPPLIN (NON-LIT)



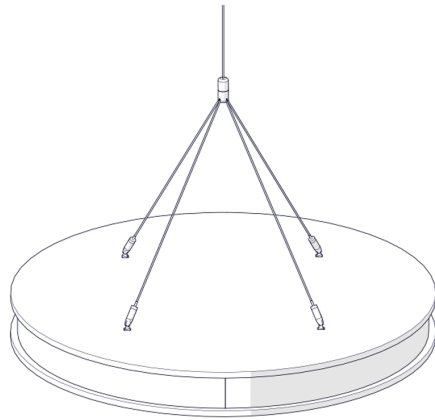
ZEPPLIN BRIGHT (LIT)

# HUSHTONE™ ZEPPELIN BRIGHT™ CLOUD PET | POLYESTER ACOUSTICAL PRODUCTS

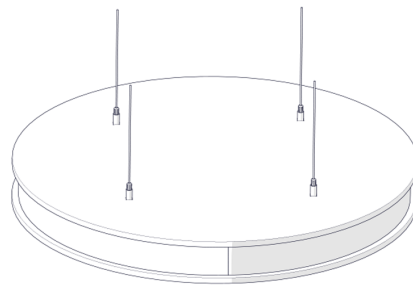
## ZEPPELIN BRIGHT Cloud Hardware Configurations

### Standard Kits

These kits do not include direct-to-ceiling hardware.



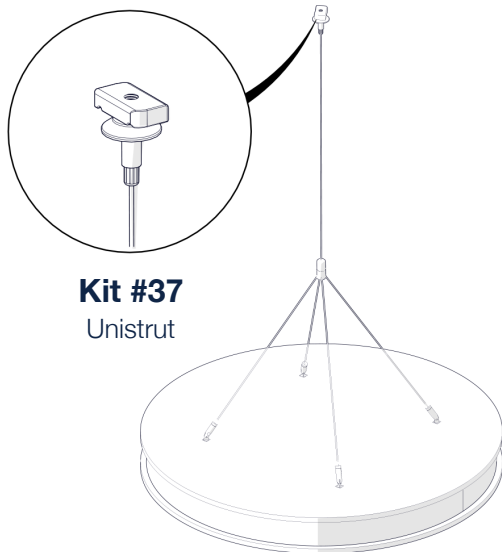
**Kit #04**



**Kit #47**

### Supplemental Kits

Additional kits compatible with ZEPPELIN & ZEPPELIN BRIGHT are available to accommodate your unique ceiling conditions.



**Kit #37**  
Unistrut

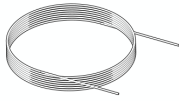


**Kit #40**  
T-grid/Drop Ceiling

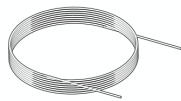
# HUSHTONE™ ZEPPELIN BRIGHT™ CLOUD PET | POLYESTER ACOUSTICAL PRODUCTS

## ZEPPELIN BRIGHT Cloud Hardware Options

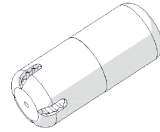
### HARDWARE KIT #04 [4 - WAY SPUTNIK]



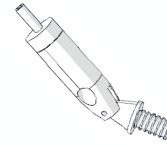
Aircraft Cable [1.5ft]



Aircraft Cable Ball End  
[6ft]

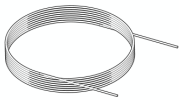


4-Way Sputnik [x1]

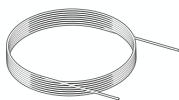


Jointed Gripper [x4]

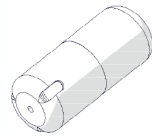
### HARDWARE KIT #18 [3 - WAY SPUTNIK]



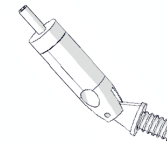
Aircraft Cable [1.5ft]



Aircraft Cable Ball End  
[6ft]

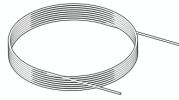


3-Way Sputnik [x1]



Jointed Gripper [x4]

### HARDWARE KIT #47 [STANDARD GRIPPER]



Aircraft Cable [6ft]

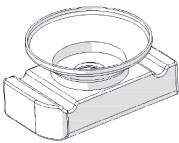


Standard Gripper [x4]



Exact hardware quantities may vary based on your specific needs or configurations. Please confirm you have to correct kit and quantities at time of delivery.

### HARDWARE KIT #47 [STANDARD GRIPPER]

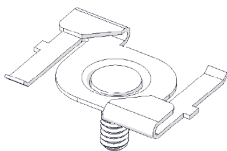


Nylon Cone Nut [x1}

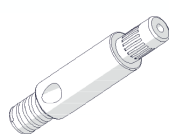


Standard Gripper [x4]

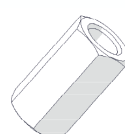
### HARDWARE KIT #40 [T-GRID/DROP CEILING]



T-Grid Bracket [x1]



Standard Gripper [x4]



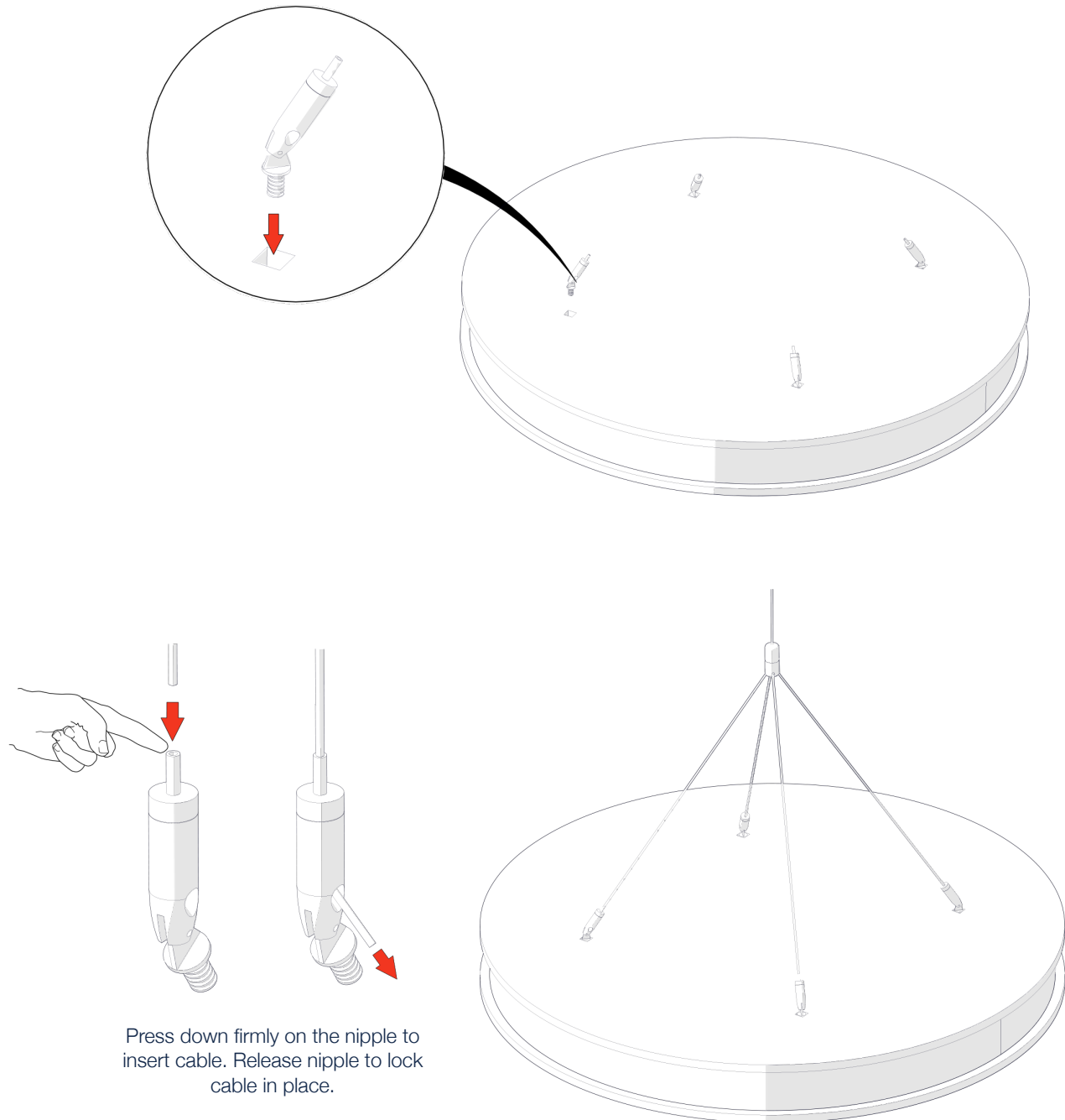
1/4-20" Coupling

# HUSHTONE™ ZEPPELIN BRIGHT™ CLOUD PET | POLYESTER ACOUSTICAL PRODUCTS

## Mounting Hardware Assembly Instructions

**Step 1:** Assemble the sputnik hardware kit

**Step 2:** Screw the jointed grippers through holes in the felt top and into the poplar frame located inside. Once you have assembled the sputnik hardware, thread the ends of the aircraft cables into the grippers, as shown below.

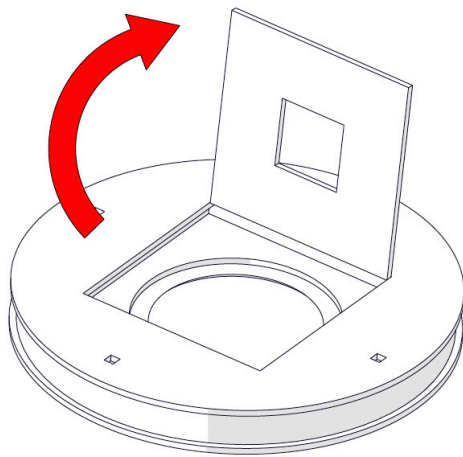


# HUSHTONE™ ZEPPELIN BRIGHT™ CLOUD PET | POLYESTER ACOUSTICAL PRODUCTS

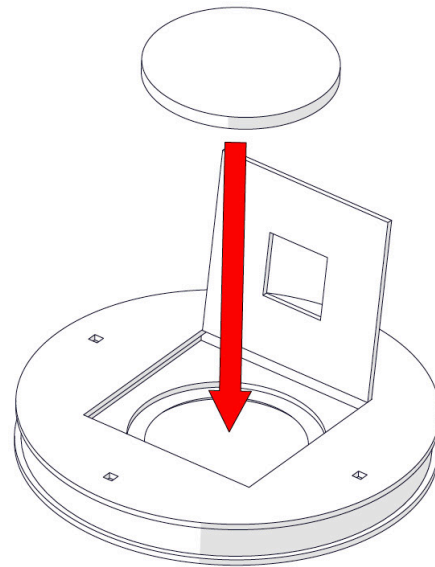
## Light Installation Instructions



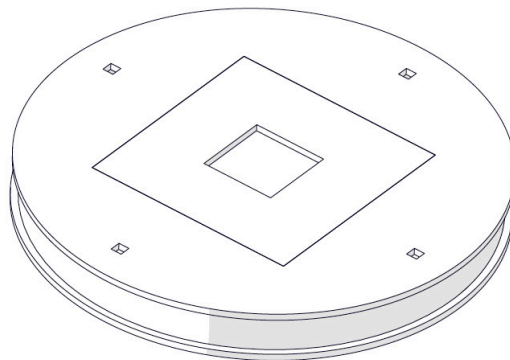
**ALL ELECTRICAL WIRING SHOULD BE PERFORMED BY A CERTIFIED ELECTRICIAN!**



**Step 1:** Locate the hinged flap on the topside of ZEPPELIN and gently open it.



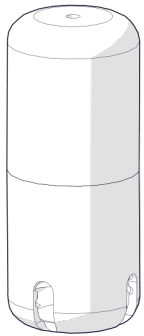
**Step 2:** Once your light is wired, place it inside the ZEPPELIN. You will find a circular pocket that the light fits snugly inside.



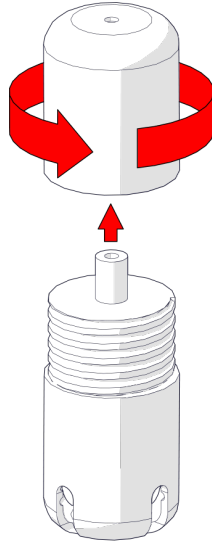
**Step 3:** Chase all wiring through the square opening and secure the flap to the closed position.

# HUSHTONE™ ZEPPELIN BRIGHT™ CLOUD PET | POLYESTER ACOUSTICAL PRODUCTS

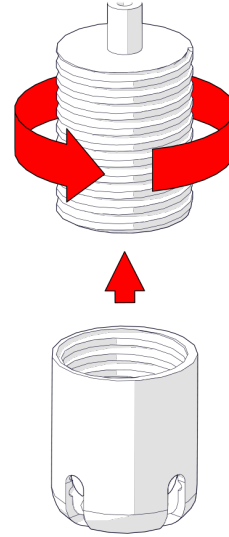
## Assembly Instructions



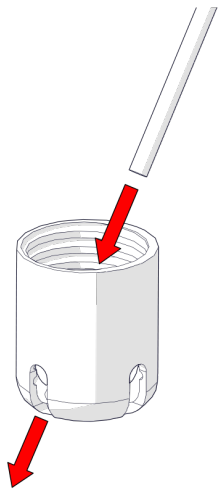
**Step 1:** Locate the Sputnik cable splitter assembly.



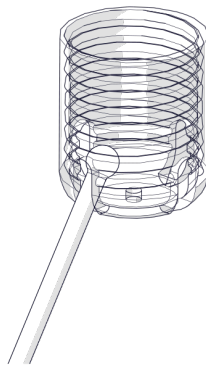
**Step 2:** Unscrew the top cap and set aside.



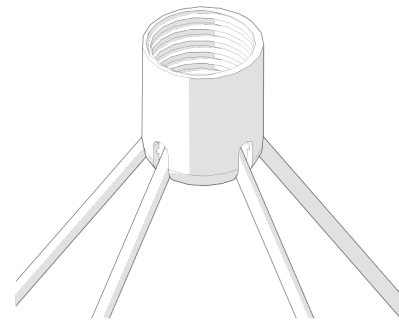
**Step 3:** Unscrew the center gripper and set aside.



**Step 4:** Insert a ball end cable through the center of the Sputnik base, and out of the cable opening.



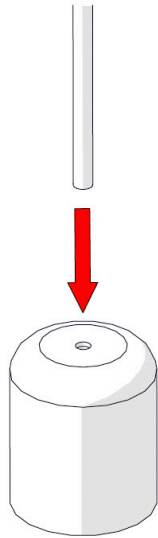
**Step 5:** Ensure the ball end of the cable is seated within the Sputnik, and the cable is secure.



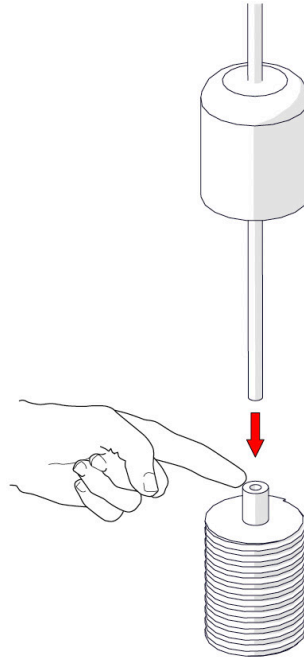
**Step 6:** Repeat previous steps for all 4 ball end cables.

# HUSHTONE™ ZEPPELIN BRIGHT™ CLOUD PET | POLYESTER ACOUSTICAL PRODUCTS

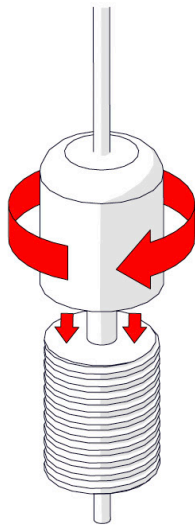
## Assembly Instructions



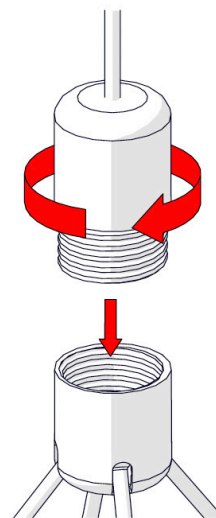
**Step 7:** Thread aircraft cable [non-ball end] through the top of the sputnik cap.



**Step 8:** Insert the cable into the cable locking insert.



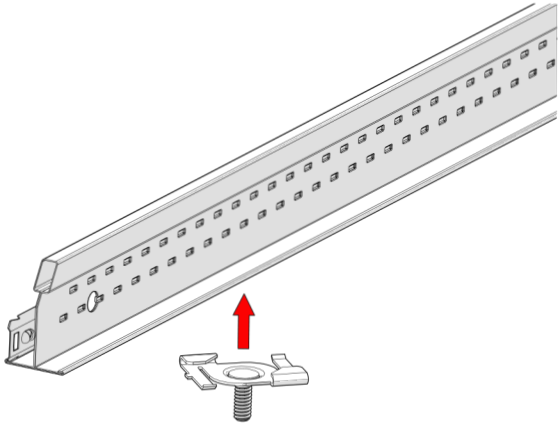
**Step 9:** Screw the sputnik cap back on to the cable lock insert.



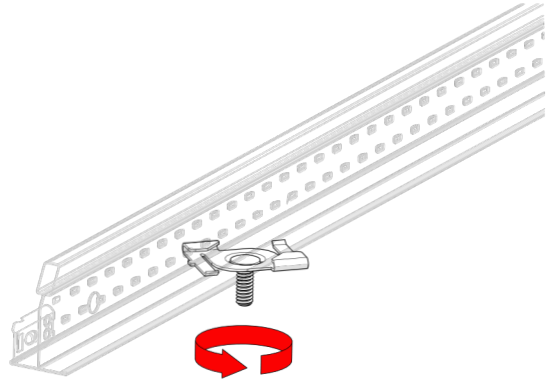
**Step 10:** Thread the cable lock insert and the cap back into the base.

# HUSHTONE™ ZEPPELIN BRIGHT™ CLOUD PET | POLYESTER ACOUSTICAL PRODUCTS

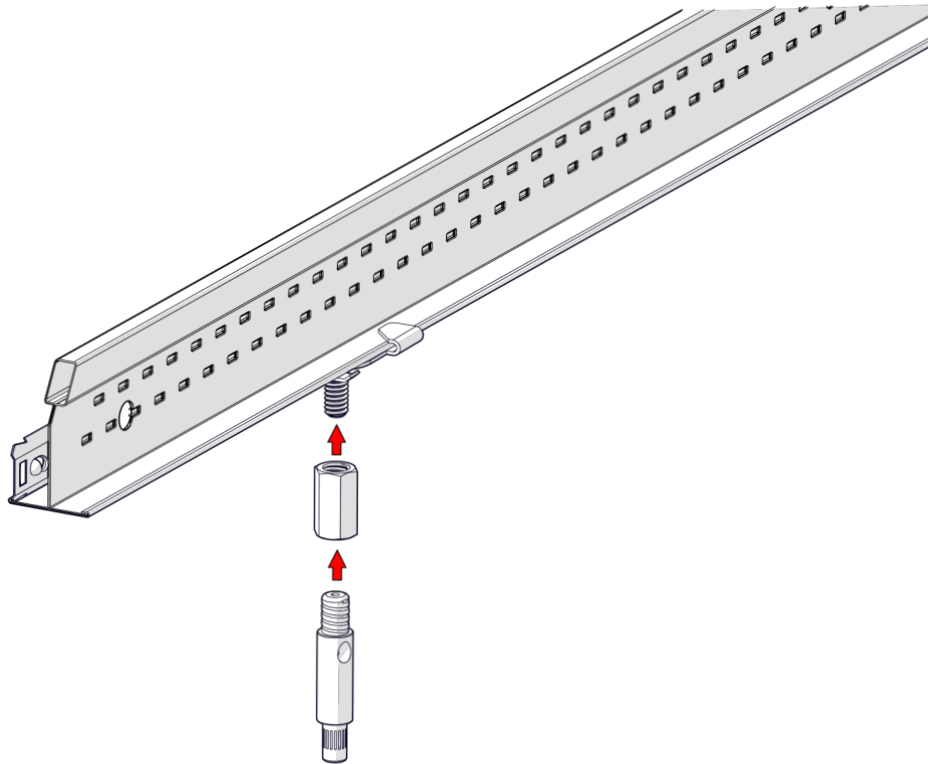
## Assembly Instructions



A - Align the T-bar clip at a diagonal angle with your existing T-grid.



B - Press the clip against the base of the T-grid and turn clockwise to lock in place.

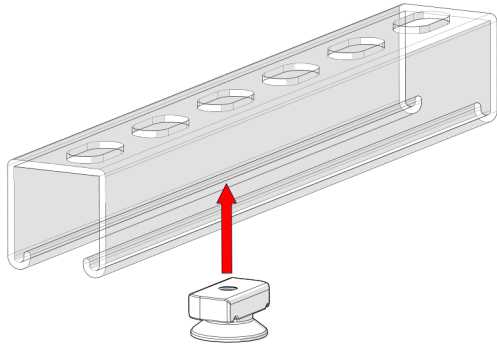


C - Use the 1/4"-20 coupling to attach the gripper to the T-bar clip.

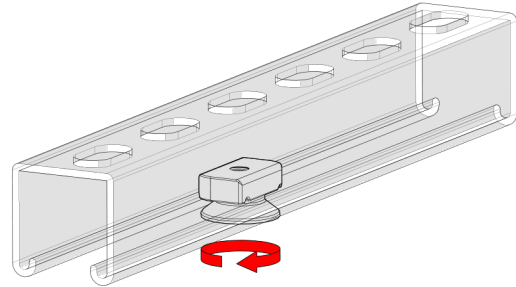


# HUSHTONE™ ZEPPELIN BRIGHT™ CLOUD PET | POLYESTER ACOUSTICAL PRODUCTS

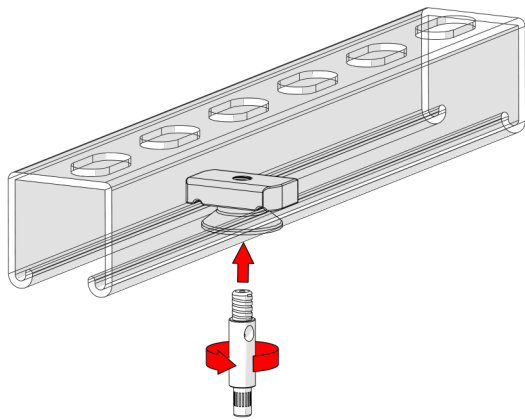
## Assembly Instructions



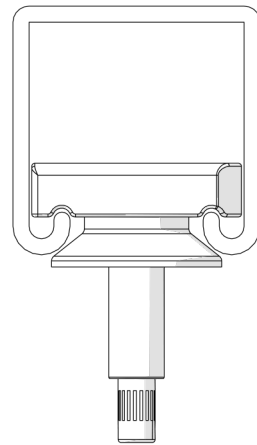
A - Insert the nylon cone nut into the unistrut lengthwise as shown above.



B - Once inserted, rotate counter-clockwise to lock firmly in place.



C - Screw in the grip lock.



D - Ensure the nylon nut is firmly seated