

LAMVIN

Acoustical Products Manufacturer

760.806.6400

Drawing no.

16008

Drawn by.

Jared

Date.

1/29/2016

Revision.

1.0

Scale.

NTS

Project Name:

Ceiling Cloud [Suspension Mounting System]

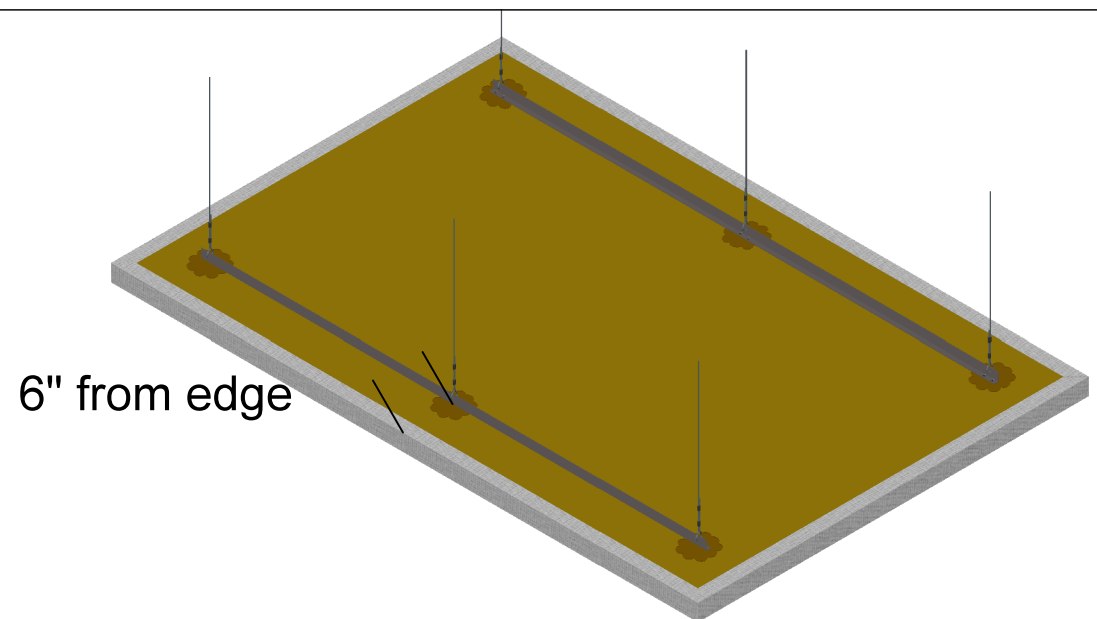
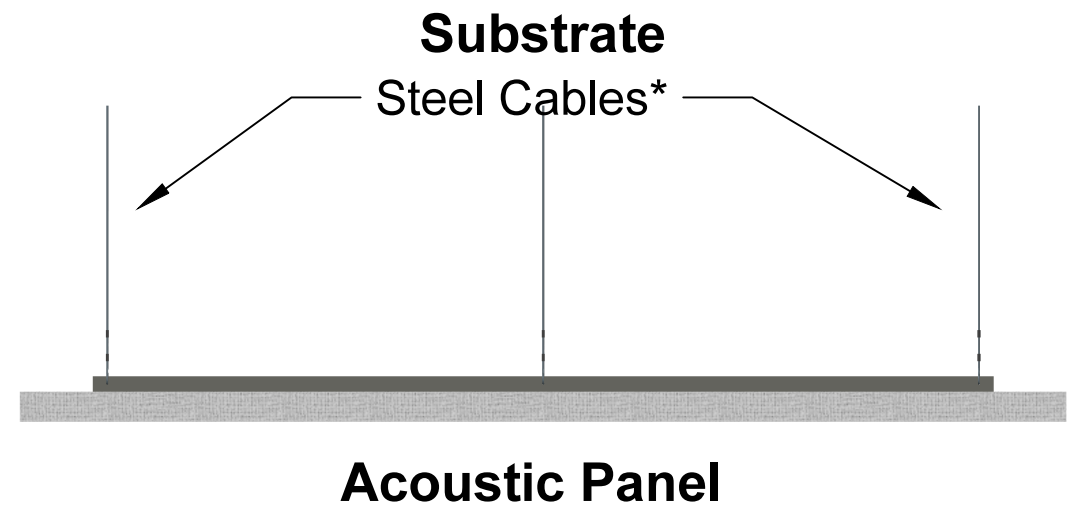
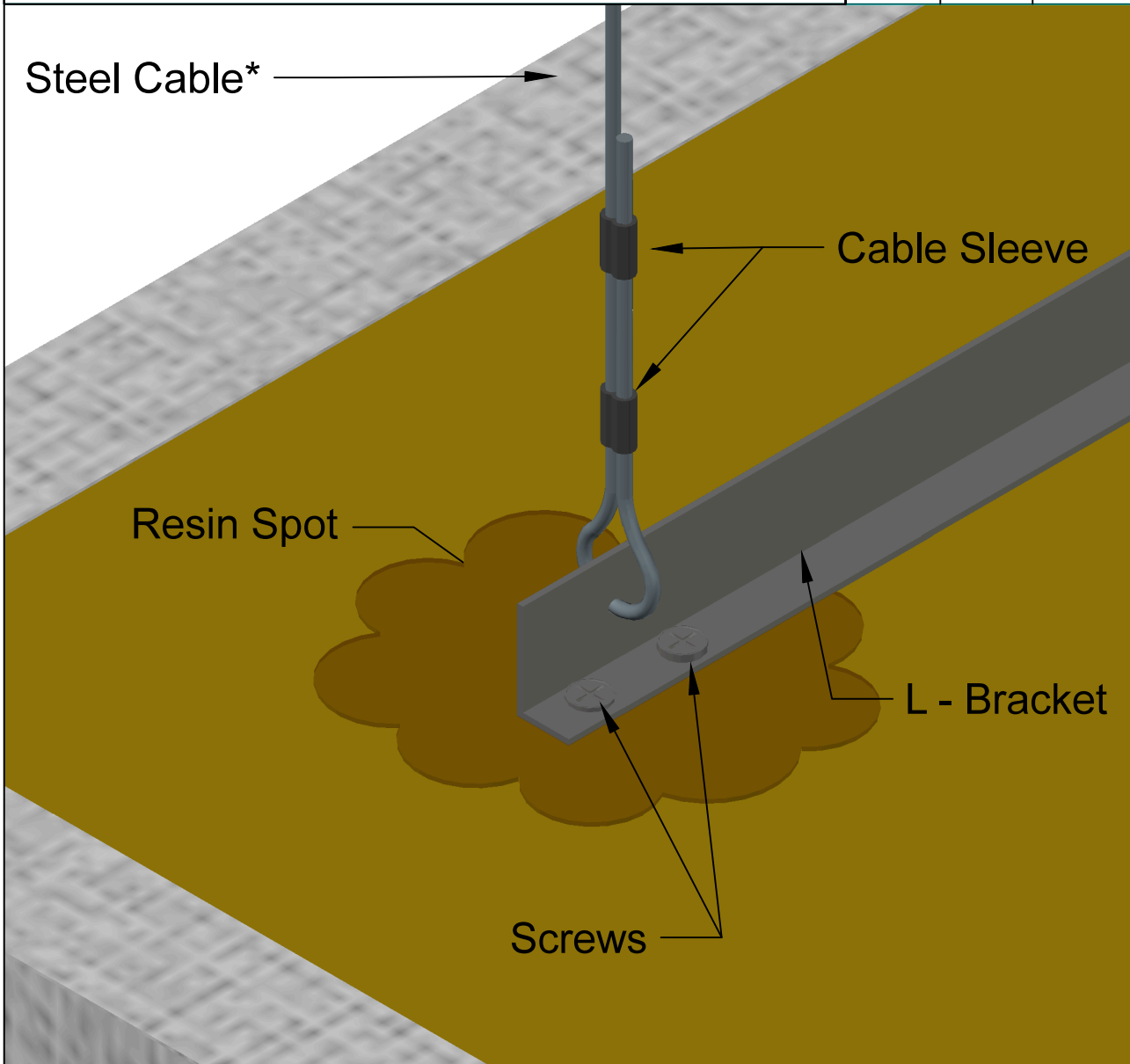
Description: Utilizes L brackets and steel cable to suspend acoustic panel.

Step 1: Clamp steel cables to suspension mounts

Step 2: Adjust ceiling panel to proper height & placement

Step 3: Attach steel cables to substrate adjusting cable length as needed.

* Steel Cable Supplied by Installer



* Images shown are for illustration purposes only