

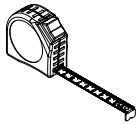
## HUSHWOOD Ceiling Installation

### Acoustical Ceiling Panels

These installation suggestions consist of a common process for HUSHWOOD installation. Installers should rely upon their own professional experience and understanding of their unique requirements to ensure a successful install.

HUSHWOOD will look best when installed with no gaps between ends or rows.

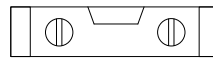
### TOOLS YOU WILL NEED



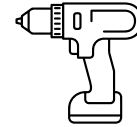
Tape Measure



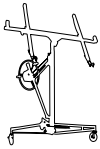
Pencil



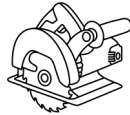
Level



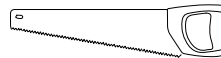
Drill



Drywall Hoist Lift  
optional



Circular Saw



Hand Saw



Utility Knife  
w/ sharp blade

### MATERIAL YOU WILL NEED



1.25"  
Black Drywall Screws



Furring Strips  
(7/8" or 2" thickness recommended)



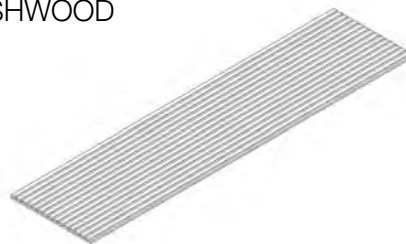
7/16"  
Drywall Screws



Masking Tape

### ITEMS INCLUDED

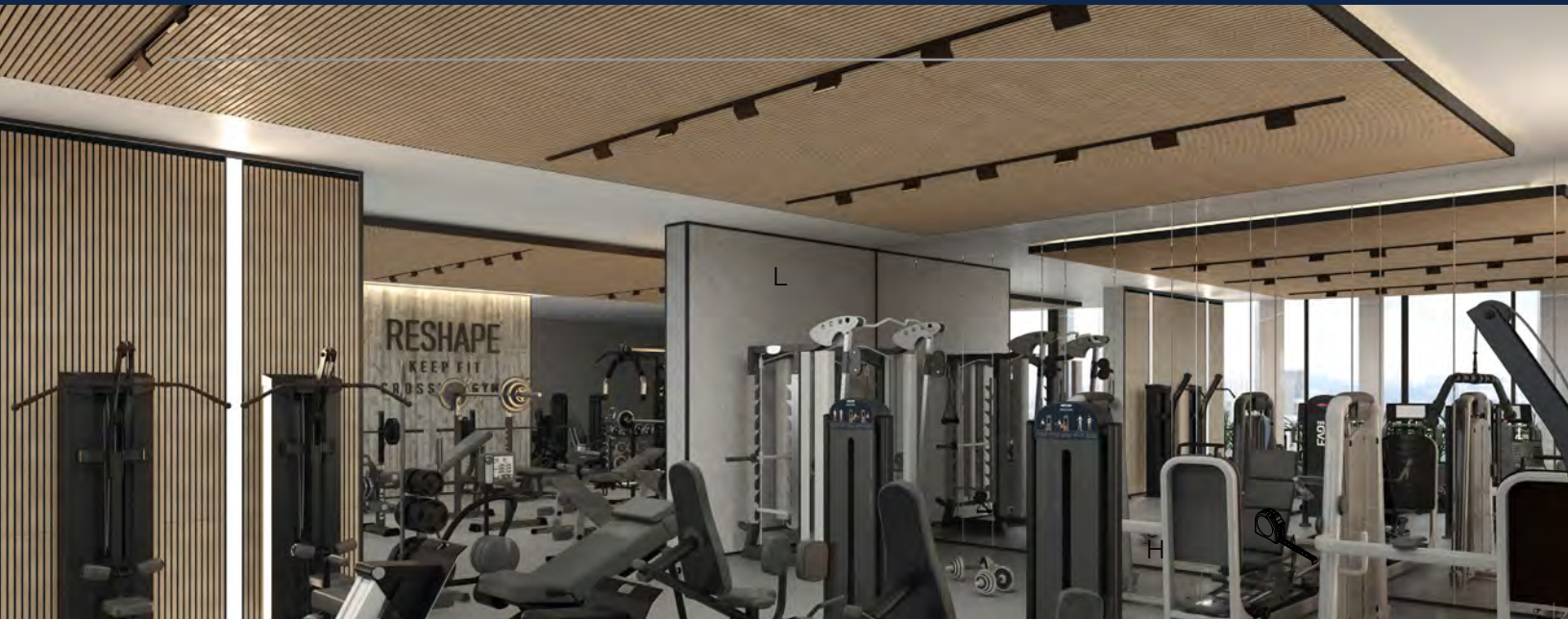
HUSHWOOD



# HUSHWOOD™

## PET | POLYESTER ACOUSTIC CEILING PANELS

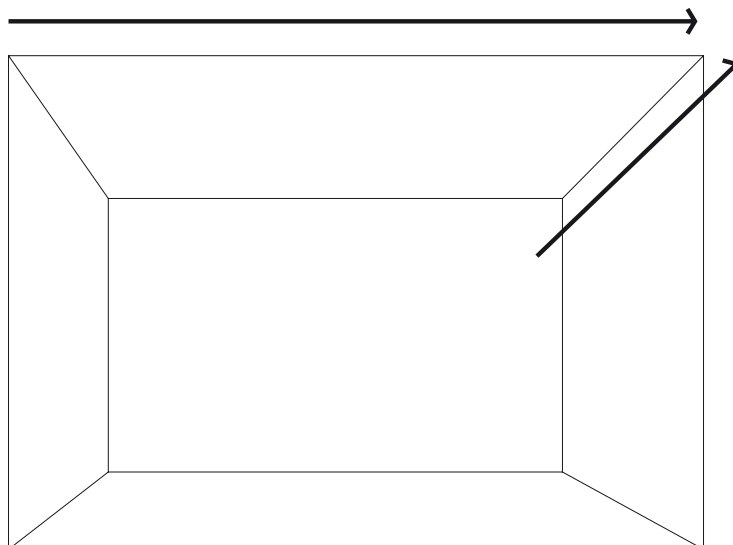
### HUSHWOOD™ Ceiling Installation Overview



## HUSHWOOD Ceiling Installation

### Acoustical Ceiling Panels

1. Start by preparing the ceiling. Clean the ceiling and remove any screws, nails and other obstacles.  
Measure the dimensions of the ceiling.



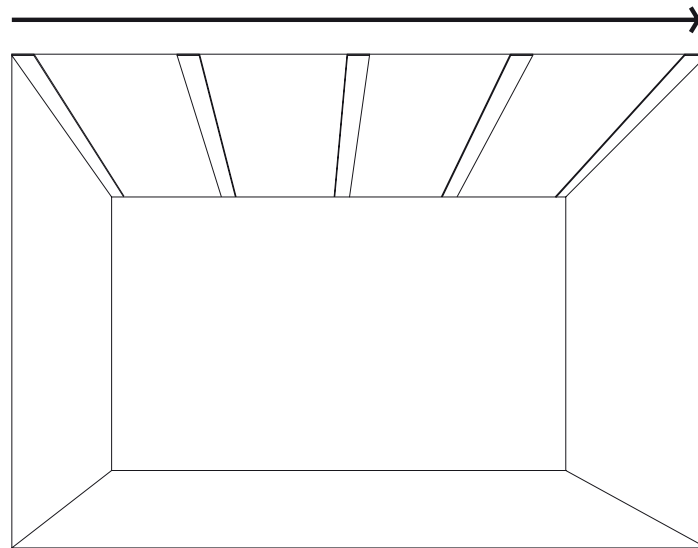
# HUSHWOOD™

## PET | POLYESTER ACOUSTIC CEILING PANELS

### HUSHWOOD™ Ceiling Installation Overview



2. Create a framework by evenly spacing furring strips on ceiling every 24". The framework should point the opposite way of the HUSHWOOD direction. NOTE: The thicker the furring strips, the larger the air cavity, therefore increased sound absorption.

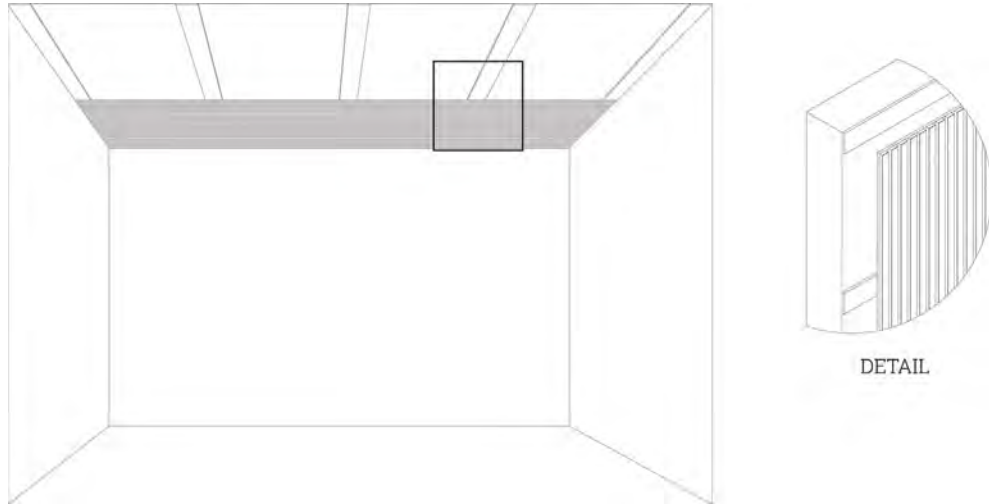


# HUSHWOOD™

## PET | POLYESTER ACOUSTIC CEILING PANELS

### HUSHWOOD™ Ceiling Installation Overview

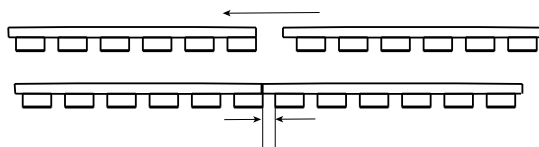
3. Position and secure HUSHWOOD to the furring strips on the ceiling with screws, placing them approximately every 16" to 24". TIP: If desired, use a drywall hoist to aid in completing this step.



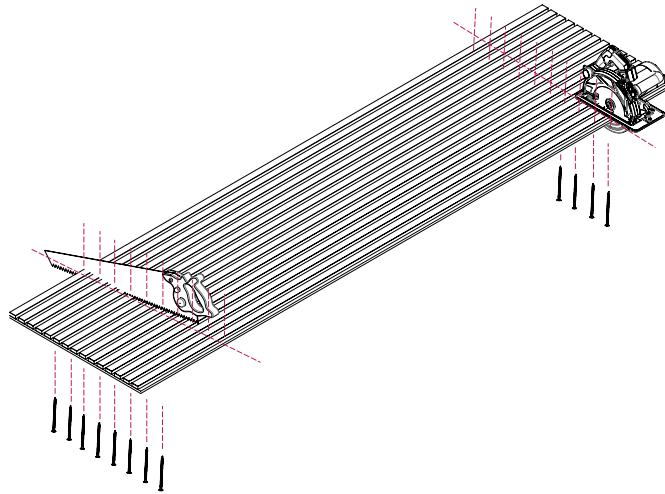
**NOTE: Do NOT** place screws on the wooden portion of HUSHWOOD. Only place on the PET felt portion in between wooden strips.



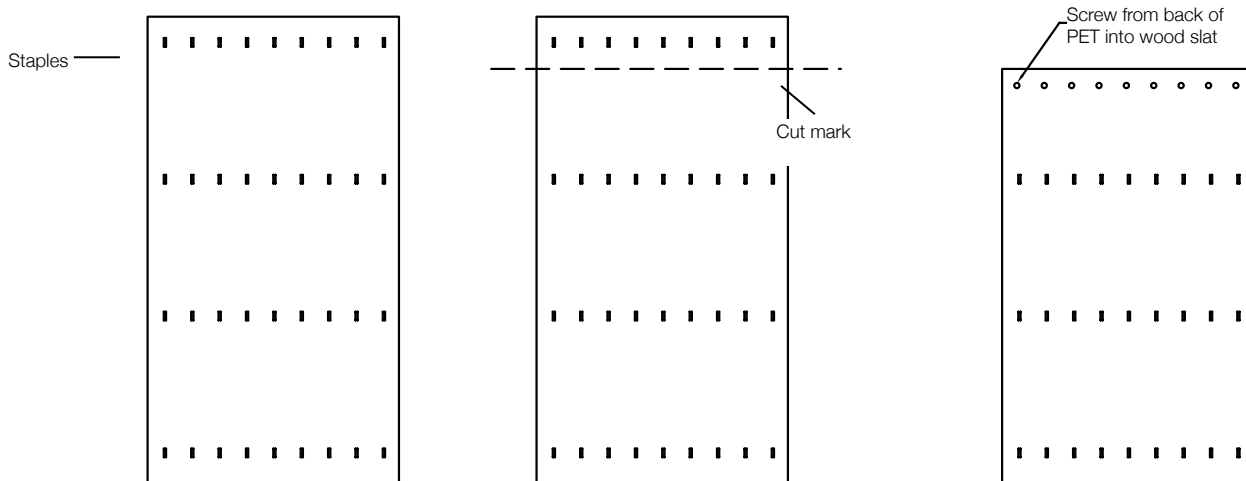
Use the premade shiplap joint to maintain even spacing and to avoid visible seams.



4. Cut excess material to fit the ceiling or accommodate obstacles, if necessary. When cutting through PET, use box knife. When cutting through wood veneer, use handsaw or jigsaw. Use masking tape to prevent splintering or splitting.



After cuts are made, reattach the wooden slats to PET backing with .5" screws, working from the backside of the panel.



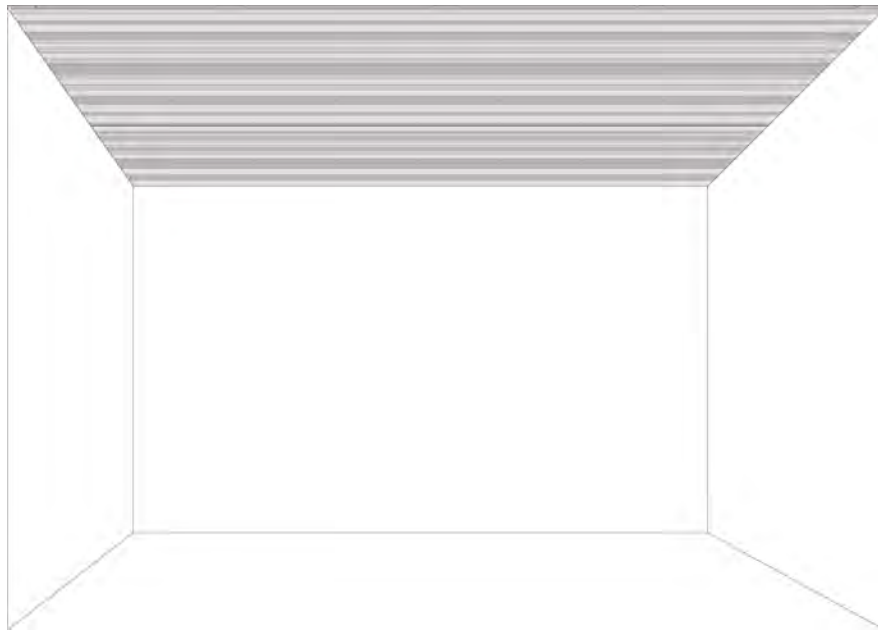
# HUSHWOOD™

## PET | POLYESTER ACOUSTIC CEILING PANELS

### HUSHWOOD™ Ceiling Installation Overview

5. Repeat the process to install the rest of HUSHWOOD to the ceiling. HUSHWOOD will look best when installed with no gaps between ends or rows.

TIP: Spray paint electrical cover and the surrounding ceiling black prior to install to match.



## HUSHWOOD

### T-Grid Ceiling Installation Direct Install with Screws

#### Acoustical Ceiling Panels

These installation suggestions consist of a common process for HUSHWOOD installation. Installers should rely upon their own professional experience and understanding of their unique requirements to ensure a successful install.

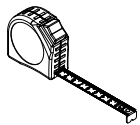
NOTE: Check the T-Grid's weight capacity prior to install to confirm product selection.

HUSHWOOD Panel: 35 lbs

HUSHWOOD will look best when installed with no gaps between ends or rows.

---

### TOOLS YOU WILL NEED



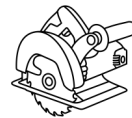
Tape Measure



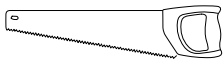
Pencil



Level



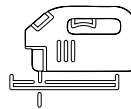
Circular Saw



Hand Saw



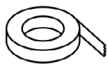
Utility Knife  
w/ sharp blade



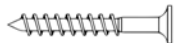
Jigsaw  
(hole cutter)

---

### MATERIAL YOU WILL NEED



Masking Tape



3/4" Thread Forming  
Sheet Metal Screw



1/2"  
Black Screws

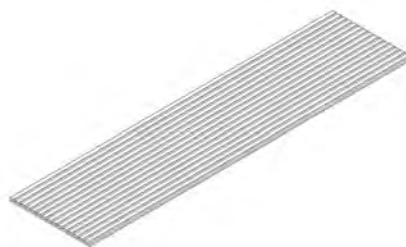


T-Grid Installed

---

### ITEMS INCLUDED

HUSHWOOD

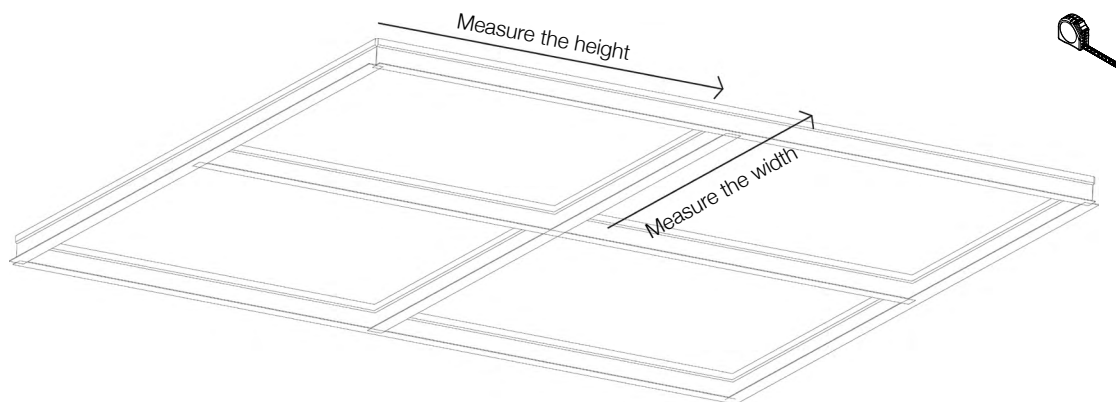


## HUSHWOOD T-Grid Ceiling Installation Direct Install with Screws

Acoustical Ceiling Panels

---

1. Measure the dimensions of the and remove all existing ceiling tiles.

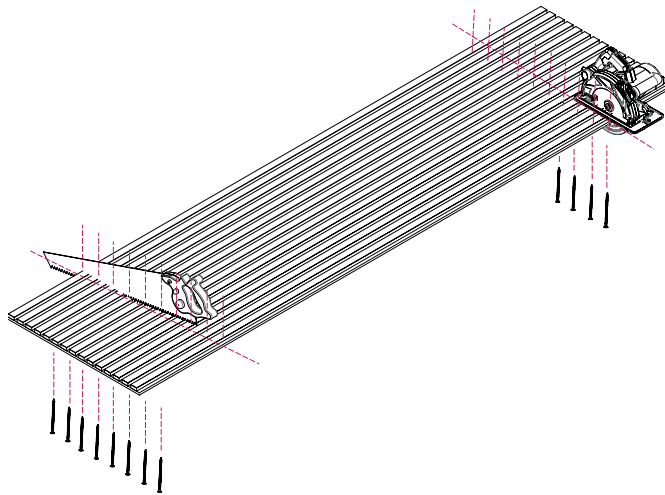




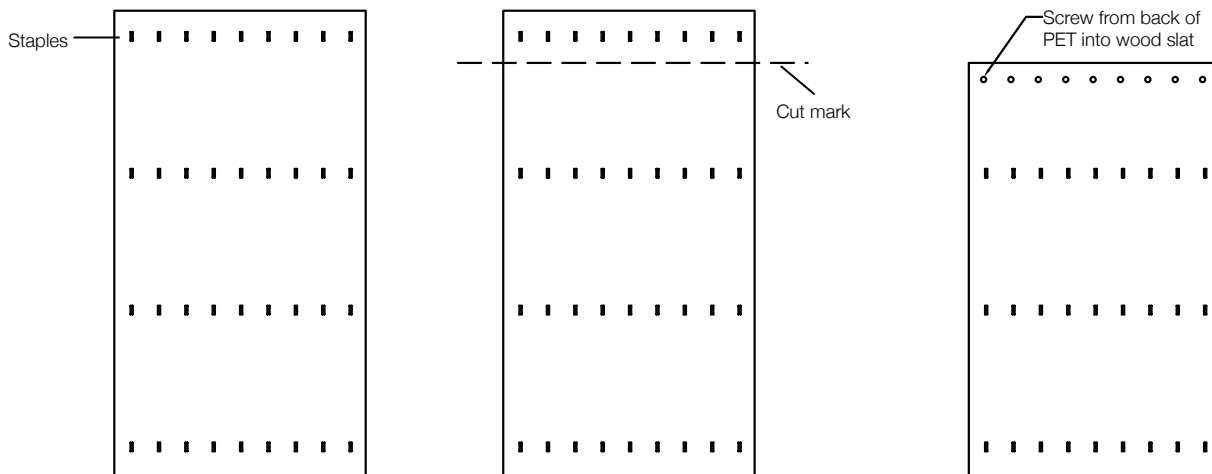
## HUSHWOOD T-Grid Ceiling Installation Direct Install with Screws

### Acoustical Ceiling Panels

2. Cut excess material to fit the ceiling or accommodate obstacles, if necessary. When cutting through PET, use box knife. When cutting through wood veneer, use handsaw or jigsaw. Use masking tape to prevent splintering or splitting.



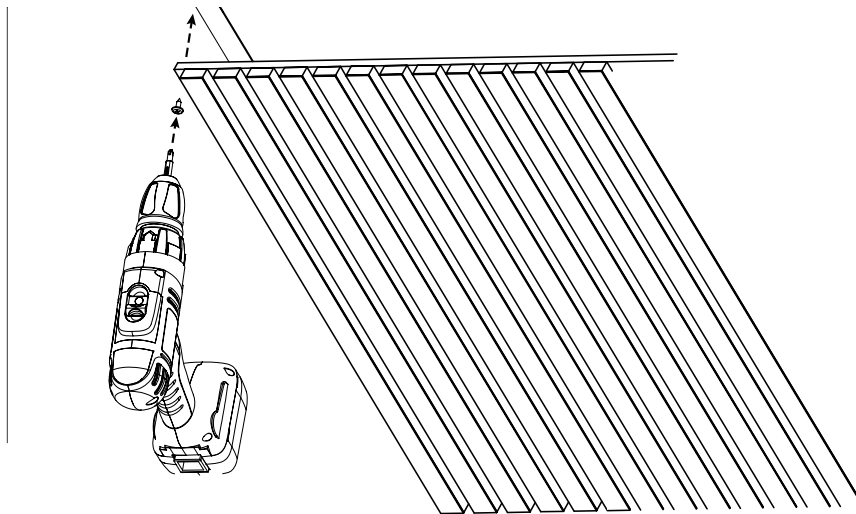
After cuts are made, reattach the wooden slats to PET backing with .5" screws, working from the backside of the panel.



## HUSHWOOD T-Grid Ceiling Installation Direct Install with Screws

### Acoustical Ceiling Panels

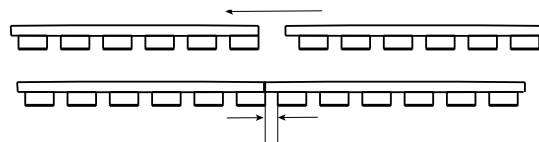
3. Position and secure HUSHWOOD on the ceiling T-Grid with screws, placing them approximately every 24 inches. Use 3/4" black head sheet metal screws. It is recommended a drywall brace or lift is used for this process.



**NOTE: Do NOT** place screws on the wooden portion of HUSHWOOD. Only place on the PET felt portion in between wooden strips.



Use the premade shiplap joint to maintain even spacing and to avoid visible seams.



## HUSHWOOD

### T-Grid Ceiling Installation Direct Install with Screws

#### Acoustical Ceiling Panels

---

4. Repeat the process to install the rest of HUSHWOOD to the ceiling. HUSHWOOD will look best when installed with no gaps between ends or rows.

TIP: Spray paint electrical cover and the surrounding ceiling black prior to install to match.

