



HUSH HEX™



SPECIFICATIONS

Standard Panel Size: 15" w x 13" h

Thickness: .625"

Weight: 1 lb./Tile



FIRE RATING

Class A per ASTM E-84

LAMVIN

COMPOSITION

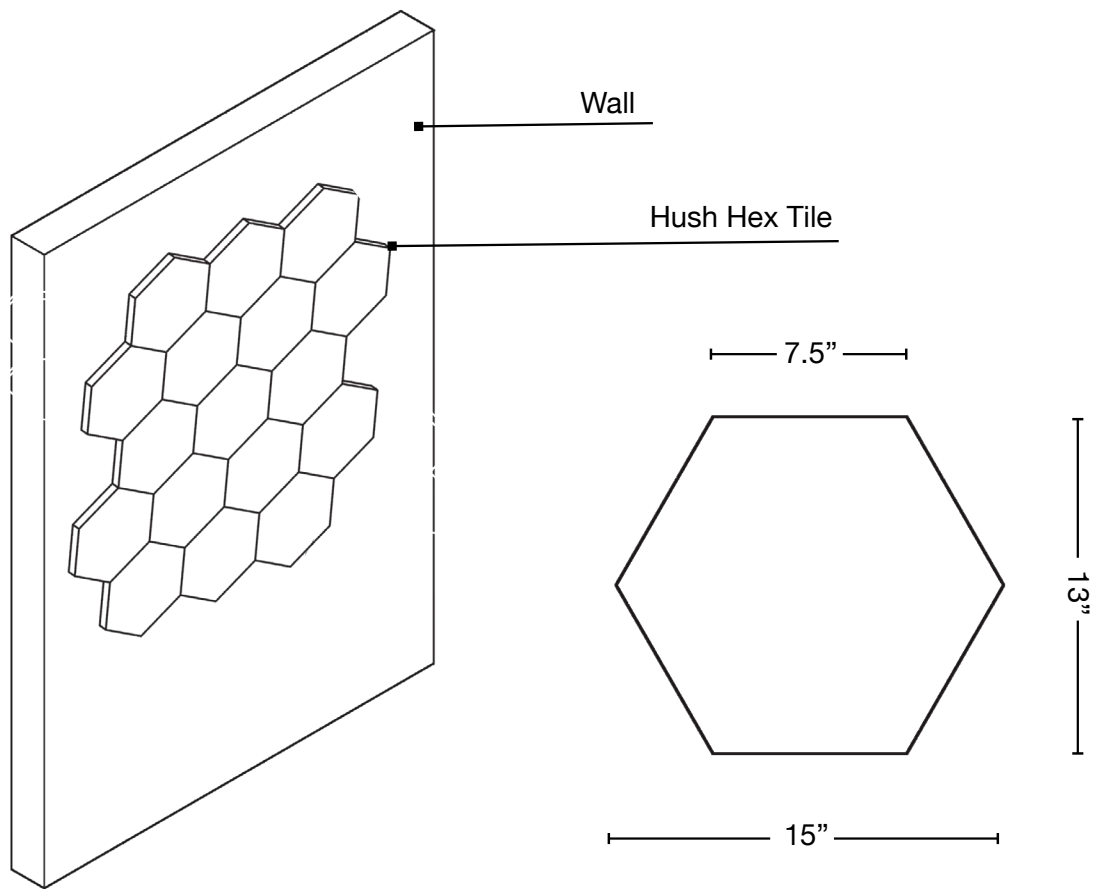


- 100% Polyethylene Terephthalate (PET)
- 55% recycled content

ENVIRONMENTAL FACTORS



- 100% recyclable
- Low VOC Emissions
 - ASTM - D5116
 - LEED - MRc4



ACOUSTICAL DATA

Frequency (Hz)	125	250	500	1000	2000	4000	NRC
.625" Thickness	.03	.07	.29	.60	.76	.86	.45

Tested as Type "A" Mounting

LAMVIN®

www.lamvin.com |     