



HUSH BRIGHT BEAM™

SPECIFICATIONS

Product Weight: 1.5 lbs/SF
Length: 4', 8'
Width: 2.75"
Height: 12", 16", 24"

FIRE RATING

Class A per ASTM E-84

LIGHTING SPECIFICATIONS

Light Wattage: 56W
Color Temperature: 3000K
LED Dimmability: 0-10V
Lumen: 8800
Voltage: 120-277V

COMPOSITION

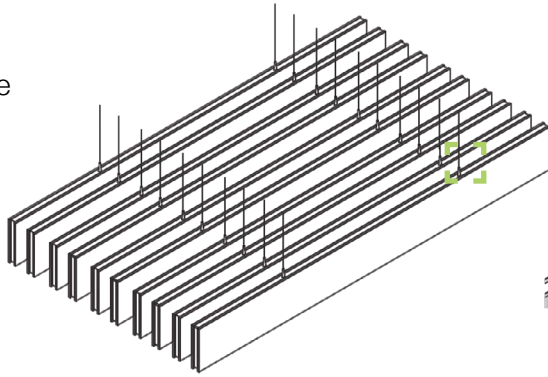
- 100% Polyethylene Terephthalate (PET)
- 55% recycled content

ENVIRONMENTAL FACTORS

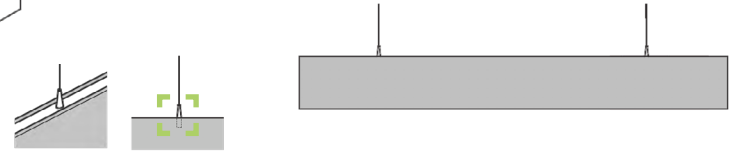
- 100% recyclable
- Low VOC Emissions
- ASTM - D5116
- LEED - MRc4

INSTALLATION OPTIONS

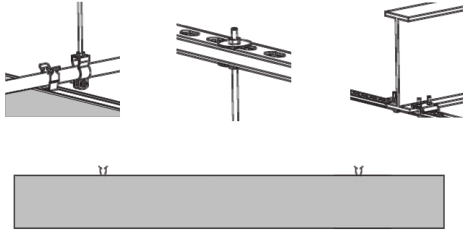
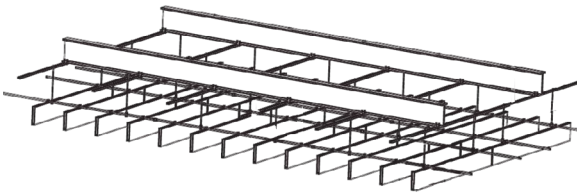
Aircraft Cable



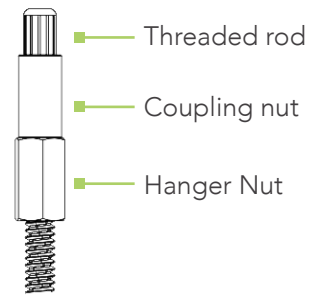
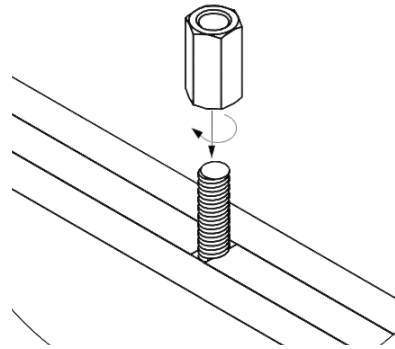
LIGHTING HARDWARE
Cable kit with:
 (2) 6' aircraft cable, (1) 5 wires clear power feed,
 (2) white/black/silver canopy



Conduit and Clip



Threaded Rod Attachment



ACOUSTICAL DATA

Based on Baffle size 4' x 2' with Type "J" Mounting. Sabins are based on Sabins per Object, NRC is an equivalent number based on one face of one panel

Frequency (Hz)	125	250	500	1000	2000	4000	NRC
2.75" Thickness	.53	.74	1.06	1.54	1.77	1.94	1.30

Frequency (Hz)	125	250	500	1000	2000	4000	SABINS
2.75" Thickness	2.94	4.45	7.05	10.62	12.61	13.64	

LAMVIN

www.lamvin.com |     

